

BAFWorks is your all-in-one lights, ventilation and Big Ass Fans® controller, eliminating the need for individual controls. This intuitive control system integrates with all Big Ass Solutions industrial technologies and existing building equipment, streamlining operations and maximizing efficiency and comfort.

## TOTAL CONTROL AT YOUR FINGERTIPS

- **Compatible Products** — Powerfoil®X2.0 and Powerfoil X3.0, Powerfoil 8, Basic 6, Pivot, and Big Ass Lights, and most third-party lighting and ventilation systems
- **Interface** — 9.7-in. (246-mm) multi-touch display with 1024-by-768 pixel resolution
- **Mounting** — Wall mount or desk stand
- **Factory Configuration** — Simplifies installation and commissioning process; ensures proper operation and communication prior to shipping
- **Safety and Protection** — Password-protected interface prevents unauthorized use; lock and key cabinet; alarm output contact for integrating fans into fire control panel
- **Efficiency** — Reduces energy consumption; expandable platform grows with your business
- **Integral Automation Modules** — IntelliVent™ automates exhaust fans and louvers and optimizes thermal comfort based on indoor and outdoor temperature. SmartSense automatically adjusts fans based on seasonal conditions to minimize the ceiling-to-floor temperature differential or increase fan speed as temperatures rise.

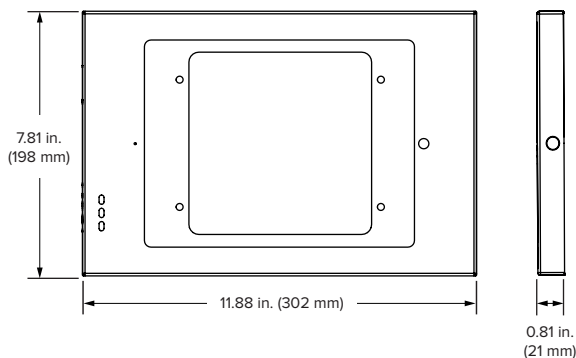


BAFWorks's intuitive software makes it simple to learn and operate, giving you independent and automatic control of your system with just the tap and swipe of a finger — no instruction manual required.

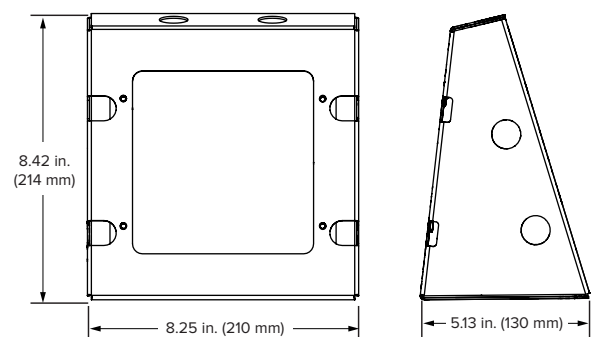
## Technical Specifications

Power supply	Maximum groups	Controller features			Communication protocol
100–240 VAC 50/60 Hz	32 groups maximum Each group can contain an unlimited number of fans.	Fans: On/Off Speed Scheduling SmartSense Grouping	Ventilation: On/Off Scheduling IntelliVent™ Grouping	Lights: On/Off Scheduling Grouping	Modbus cable for Big Ass Fans Ethernet for lights and ventilation fans WiFi router

Enclosure



Mounting Bracket



See full warranty for coverage information.  
Specifications subject to change without notice.



AMERICAS  
BIGASSOLUTIONS.COM  
877-244-3267

CANADA  
BIGASSOLUTIONS.COM/CA  
844-924-4277

AUSTRALIA  
BIGASSOLUTIONS.COM/AU  
1-300-244-277

HONG KONG  
BIGASSOLUTIONS.COM/HK  
+852 2836 5808

SINGAPORE  
BIGASSOLUTIONS.COM/SG  
+65 6709 8500

MALAYSIA  
+603 5565 0888