

COLD FRONT 300

Take the fight to workplace heat with Cold Front 300. Engineered with larger cooling media, fan diameter, and reservoir size than our base models, it delivers comfort to workers and guests over a wide area. Thanks to its variable-speed control and virtually silent operation, it's perfect for spaces where rapidly changing conditions require a quick, distraction-free solution.



KEY FEATURES

- ▶ Quickly cool indoor and outdoor spaces by up to 33 °F (18 °C)
- ▶ Great for workshops, garages, and studios
- ▶ Large swivel casters for ease of mobility
- ▶ 8-inch (20-centimeter) resin-treated cooling media
- ▶ 18-inch (46-centimeter) fan diameter
- ▶ 16-gallon (62-liter) reservoir lasts up to 4 hours without hose connection

COVERAGE AREA

1,200 SQUARE FEET
(110 SQUARE METERS)

WARRANTY

5 YEARS

CONTROL

VARIABLE SPEED

VOLTAGE

110 V



BIG ASS FANS

**EXCEPTIONALLY
ENGINEERED**

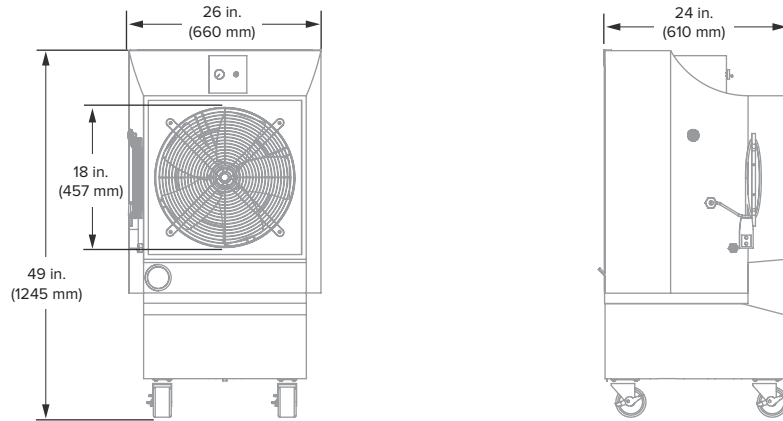
STOP HEAT COLD

bigassfans.com/cold-front | Starting at **US\$1,300**

Call **877.244.3267** to transform your facility
with the cooling power of Cold Front.

COLD FRONT 300

DELIVER COOLER CONDITIONS AT A MOMENT'S NOTICE



Technical Specifications

Model	Ordering Information	Weight	Water Capacity	Inlet Water Supply Pressure	Input power and required breaker	Environment ¹	Amperage ²	Airflow and Coverage	Sound Level ³	Operating Temperature
Cold Front 300	F-EV1-1801	100 lb (45.4 kg)	16 gal (60.6 L)	120 PSI maximum	120 VAC, 60 Hz, 1Φ, 15 A	Well-ventilated indoor or outdoor space	4.1 A	700–2800 cfm 1200 sq ft	63 dBA	0 to 104 °F (-18 to 40 °C)

Construction

Housing	Motor	Power Supply	Water Supply	Cooling Media	Maintenance
UV-resistant roto-molded polyethylene housing Four locking swivel casters	Variable speed high-efficiency, totally enclosed 0.5 hp (0.37 kW)	Ground fault protected power cord plugs into standard electrical outlet Cord wrap for easy storage	Accepts standard garden hose Built-in reservoir for extended use Water level regulated by float valve Low-water shutoff for pump longevity	Made from 8 in. (203 mm) thick cross-corrugated, angle-fluted formulated cellulose Treated with thermosetting resin for strength and prevention of algae	Accessible reservoir cap for convenient water treatment Drain plug and flush valve for water removal



¹ Not suitable for salt air environments.

² Maximum amperage includes both the fan and pump maximum amperage ratings.

³ Fans are sound tested in a laboratory environment. Actual results in field conditions may vary due to sound reflecting surfaces and environmental conditions.

Lead times may vary. See full warranty for coverage information.



USA
BIGASSFANS.COM
877-244-3267

CANADA
BIGASSFANS.COM
844-924-4277

AUSTRALIA
BIGASSFANS.COM/AU
1300 244 277

SINGAPORE
BIGASSFANS.COM/SG
65 6709 8500

MALAYSIA
BIGASSFANS.COM/SG
603 5565 0888