

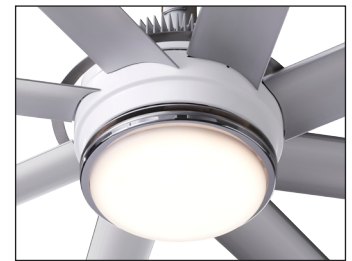
The Essence LED seamlessly integrates into the fan's design and provides incredibly efficient illumination for more than 50,000 hours. The ideal fan for large spaces just got even better.

A TRULY BRILLIANT ADDITION

- **Power Supply** — Includes dedicated power supply (remotely mounted) so the light can be controlled independently from the fan
- **Controls** — Operate the light separately or integrate control into your existing lighting grid
- **Installation** — Easily installs on fan for seamless integration; can be retrofitted to Essence fans sold after March 2015
- **Application** — Maximizes lighting coverage in any large space, from homes, restaurants, and concert halls to classrooms, offices, and gyms
- **Environment** — Suitable for indoor spaces
- **Color Temperature** — 4,000 and 3,000 Kelvin options
- **Accessories** — Optional dimmer to match changing lighting needs



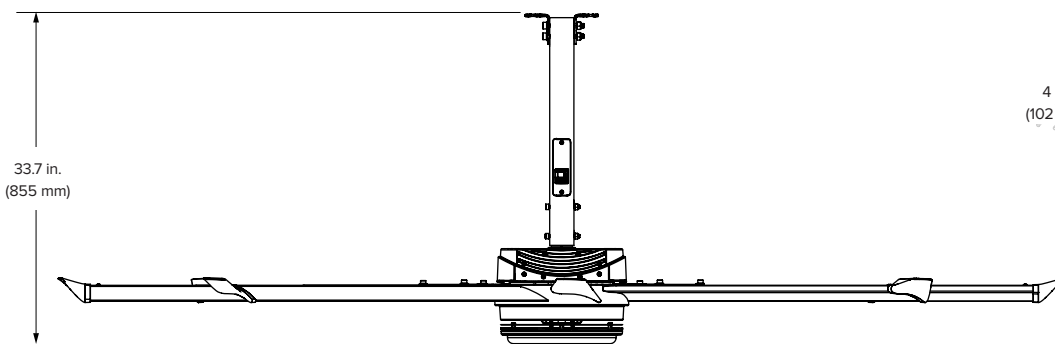
Power Off



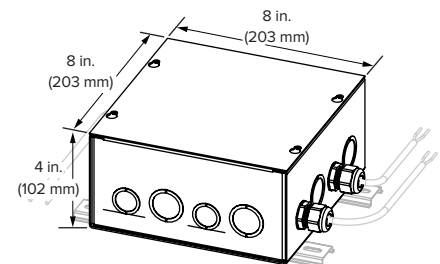
Power On

Technical Specifications

Model number	CCT	Max output at input power	Wattage	Efficacy	Output	Rated lifetime	CRI
White: 005792-266-03 Silver: 005792-267-03	3000 K	0.64 A @ 120 VAC, 50/60 Hz 0.26 A @ 240 VAC, 50/60 Hz	67 W @ 110 V 62 W @ 240–277 V	68–100 lm/W	Dimmable up to 5,000 lumens	Up to 54,000 hours	80–85
White: 005792-266-04 Silver: 005792-267-04	4000 K	0.25 A @ 277 VAC, 50/60 Hz					



Pictured with a 2-ft extension tube



Power Supply (remotely mounted)

Lead times may vary.
See full warranty for coverage information.
Specifications subject to change without notice.



Intertek
Certified to UL STD 1598



AMERICAS
BIGASSOLUTIONS.COM
877-244-3267

CANADA
BIGASSOLUTIONS.COM/CA
844-924-4277

AUSTRALIA
BIGASSOLUTIONS.COM/AU
1-300-244-277

SINGAPORE
BIGASSOLUTIONS.COM/SG
+65 6709 8500

MALAYSIA
+603 5565 0888