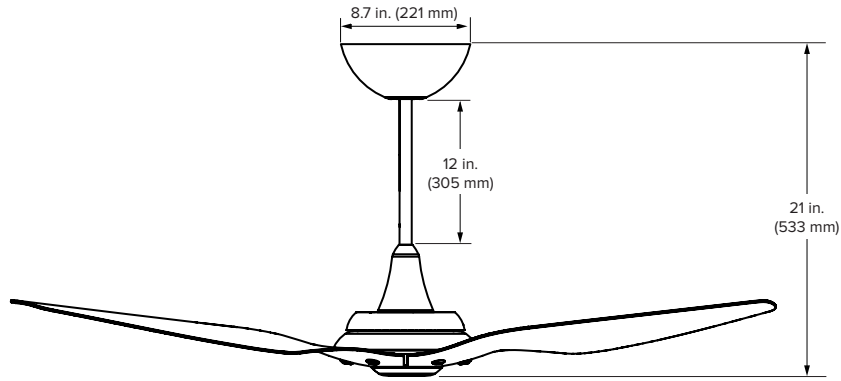


HAIKU UPLIGHT

SEE YOUR SPACE IN LUMINOUS LUXURY



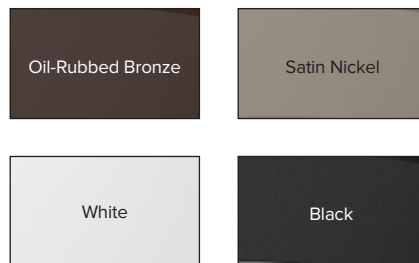
Shown with the 12 in. (305 mm) downrod. See the full fan cut sheet for a complete list of fan heights with optional downrods.

Construction and Controls				
Premium Components	Finish ¹	LED Options ¹	Environment	Controls
Custom aluminum heatsink	Matches fan hardware finish	Chromatic Uplight with RGB color changing capability and night light functionality UV-C (upgrade)	Indoor use only	On/Off 16 dimmable settings Remote control Voice control Night Light mode via the BAF mobile app Clean Mode via the BAF mobile app (UV-C upgrade only)

Technical Specifications							
Fixture ¹	Color Temperature	Nominal Lumen Output	Efficacy	Nominal Input Power	Amperage	Operating Voltage	Dimming Range
Chromatic Uplight	2700 K	1,845 lm	87.4 lm/W	21.2 W	1.4 A	24 VDC Powered by fan	1% to 100%
	4000 K	1,984 lm	94.8 lm/W	22.2 W			
	RGB color changing	N/A	N/A	3.6–2.9 W			
Chromatic Uplight with UV-C (upgrade)	265 nm	—	—	34 W			N/A



Finish Options



Chromatic Uplight LED Colors



¹ UV-C capability is an add-on. Big Ass Fans recommends replacing the UV-C LED board annually. To preserve UV-C capabilities, the LEDs are not covered by a lens. Big Ass Fans recommends cleaning the LED board monthly with compressed air. Do not touch the LEDs with bare hands. EPA Est. 97457-KY-1

Lead times may vary. Warranty period and terms vary by country and application.