

PRODUCT HIGHLIGHTS

- Construction** — Heavy-duty single extruded aluminum heatsink designed to perform in ambient temperatures up to 158°F (70°C). (See ambient operating temperature specifications below for details.) End caps formed of glass-filled polycarbonate. Lumen maintenance trays made of UVA/UVB-resistant acrylic with optional polycarbonate construction.
- Electrical** — Utilizes an IP67, 90°C rated internal driver for maximum life in high-temperature applications. Driver standard with internal 0–10 V input; optional external factory-installed 0–10 V cable. Available as multi-volt input (120–277 V or 347–480 V). Surge protection optional.
- Optics** — Patented lumen maintenance trays direct light 15 to 115 degrees to accommodate facility needs. Available in aisleway, narrow, regular, wide, and diffused. UVA/UVB-resistant acrylic standard; optional polycarbonate available (meets AIB requirements).
- Controls** — Optional integrated occupancy sensor (IP66 rated) provides wireless handheld configuration tool for ease of adjustment from floor level. Settings include high/low modes, time delay from 30 seconds up to 5 hours, optional secondary cutoff for bi-level control, sensitivity adjustment, photocell on/off control (1-250FC or disabled). Optional third-party controls available; contact Big Ass Fans for request.
- Installation** — Standard installation with aircraft cable (500 lb [226 kg] safety factor); suitable for suspension by chain or single ¾" NPT pendant socket. Mount fixture at minimum distance of 24" (610 mm) from roof or ceiling structure. Fixture will operate in mounting distance less than 24" (610 mm) with reduced maximum ambient temperature rating. For a list of the specific products in this series that are DLC listed, please consult the Design Lights website at www.designlights.org.
- Listings** — Intertek/ETL certified to UL and CSA standards. Listed for damp locations and ambient temperatures up to 158°F (70°C) when suspended a minimum of 24" (610 mm) from ceiling or roof. See ambient operating temperature specifications below for details.
- Warranty** — 5-year complete fixture warranty in the US and Canada; includes power supplies. Certain exclusions apply. Warranty may vary by country. See complete warranty for details.
- Maintenance** — Zero-tool access to lumen maintenance tray; hinged door access to power supplies. Acrylic lumen maintenance tray may not be suitable for all industrial environments; contact Big Ass Fans for details.



Ordering Information¹

Lighting	Series	Lumen Output ²	Color Temp	System Voltage ³	Lumen Maintenance Tray	Cord Length ⁴	Mounting Hardware ⁵	Controls	Options
BAS	HPF2	12: 11,992 lm 18: 17,948 lm 24: 23,893 lm 36: 35,119 lm 48: 48,210 lm	04: 4000K 05: 5000K	01: 120–277 V 02: 347–480 V	00: No Lens 01: Narrow 02: Regular 03: Wide 04: Diffused 06: Aisleway	Pt: Pendant wiring 10: 10 ft (3.05 m)	01: Aircraft cable, 10 ft (3.05 m) 04: Pendant mount, ¾" NPT	00: No external dimming 01: Occupancy/Photo with dimming control 03: External dimming cable	ST3: Surge Protections

¹Lead times may vary depending on options selected

²Measured at 277 V, 4000K color temperature without lens

³If external transformer is desired for 347–480 V, contact Big Ass Fans for details.

⁴Consult Big Ass Fans for custom cord lengths.

⁵Consult Big Ass Fans for pendant mounting distances longer than 25 ft (7.62 m).

See full warranty for coverage information.
Lead times may vary depending on options.
Specifications subject to change without notice.



USA
BIGASSFANS.COM
877-244-3267

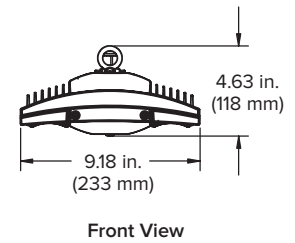
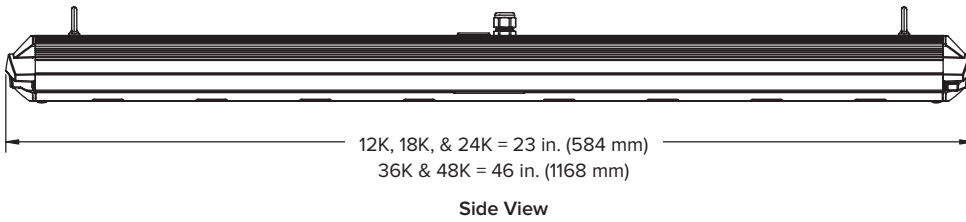
CANADA
BIGASSFANS.COM
844-924-4277

AUSTRALIA
BIGASSFANS.COM/AU
1-300-244-277

SINGAPORE
BIGASSFANS.COM/SG
+65 6709 8500

High Powered Fixture

TECHNICAL SPECIFICATIONS



Light Output

Series	Wattage ¹	Efficacy ¹	Color Temperature	Typical CRI
12K	83 W	144 lumens/watt	4000K, 5000K	80+
18K	135 W	133 lumens/watt	4000K, 5000K	80+
24K	203 W	118 lumens/watt	4000K, 5000K	80+
36K	265 W	133 lumens/watt	4000K, 5000K	80+
48K	392 W	123 lumens/watt	4000K, 5000K	80+

¹ Measured at 277 V, 4000K color temperature without lens

Operational Specifications

Series	Weight	Ambient Operating Temperature	Power Input ¹	Dimming	Reliability	Certifications
12K	16 lb (7.3 kg)	Up to 158°F (70°C)	120–277 V; 347–480 V	0–10 V	TM-21 lumen maintenance (measured @ 25°C): > 88% of original lumens (@ 60,000 hours) Theoretical L70 hours > 150,000 hours	Certified by Intertek/ETL to UL 1598 and CSA C22.2 No. 250.0 For a list of the specific products in this series that are DLC listed, please consult the Design Lights website at www.designlights.org
18K	16 lb (7.3 kg)	Up to 140°F (60°C)				
24K	16 lb (7.3 kg)	Up to 113°F (45°C)				
36K	31 lb (14.06 kg)	Up to 122°F (50°C)				
48K	31 lb (14.06 kg)					

¹ If external transformer is desired for 347–480 V, contact Big Ass Fans for details.

See full warranty for coverage information.
Lead times may vary depending on options.
Specifications subject to change without notice.



USA
BIGASSFANS.COM
877-244-3267

CANADA
BIGASSFANS.COM
844-924-4277

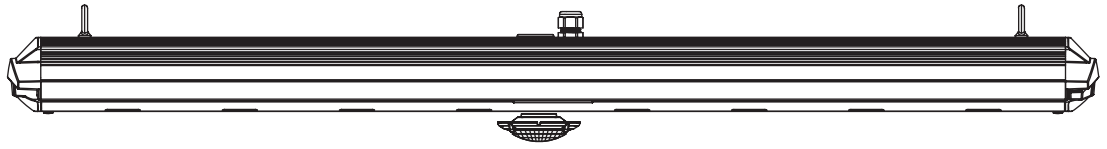
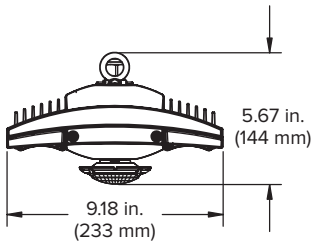
AUSTRALIA
BIGASSFANS.COM/AU
1-300-244-277

SINGAPORE
BIGASSFANS.COM/SG
+65 6709 8500

Accessory:

Occupancy Sensor

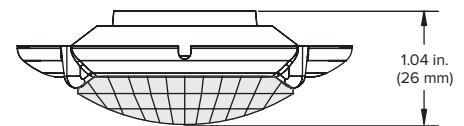
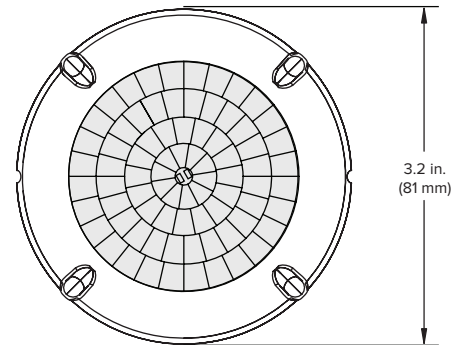
TECHNICAL SPECIFICATIONS



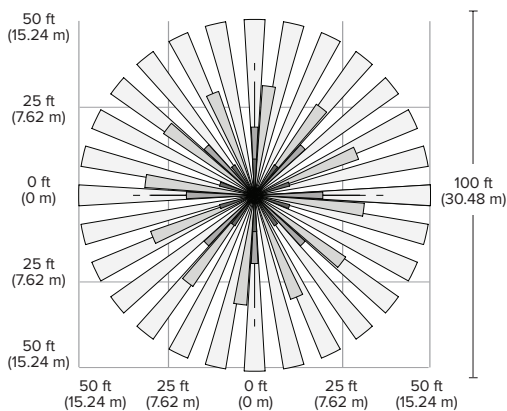
The occupancy sensor is a low-profile device that integrates with the LED fixture. The sensor's lens offers 360 degrees of monitoring to automatically turn the light on when people are present and down and off when a space is vacant. A timed delay for turning the light down and off once a space is empty can be adjusted from 30 seconds up to 5 hours. The sensor can also be adjusted to turn off during daylight hours, saving energy by taking advantage of natural light. The sensor is programmed using a handheld remote, which allows for program adjustments to be made from floor level.

Features and benefits

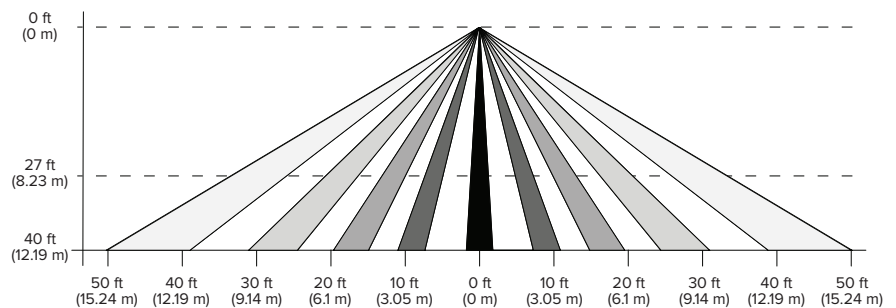
- Low-profile device fully integrated with light fixture
- Adjustable timed delay for turning fixture off ranging from 30 seconds up to 5 hours
- Lens provides 360 degrees of monitoring coverage
- Lighting level feature allows for lights to remain off during daylight hours



Top View Coverage



Side View Coverage



See full warranty for coverage information.
Lead times may vary depending on options.
Specifications subject to change without notice.



USA
BIGASSFANS.COM
877-244-3267

CANADA
BIGASSFANS.COM
844-924-4277

AUSTRALIA
BIGASSFANS.COM/AU
1-300-244-277

SINGAPORE
BIGASSFANS.COM/SG
+65 6709 8500

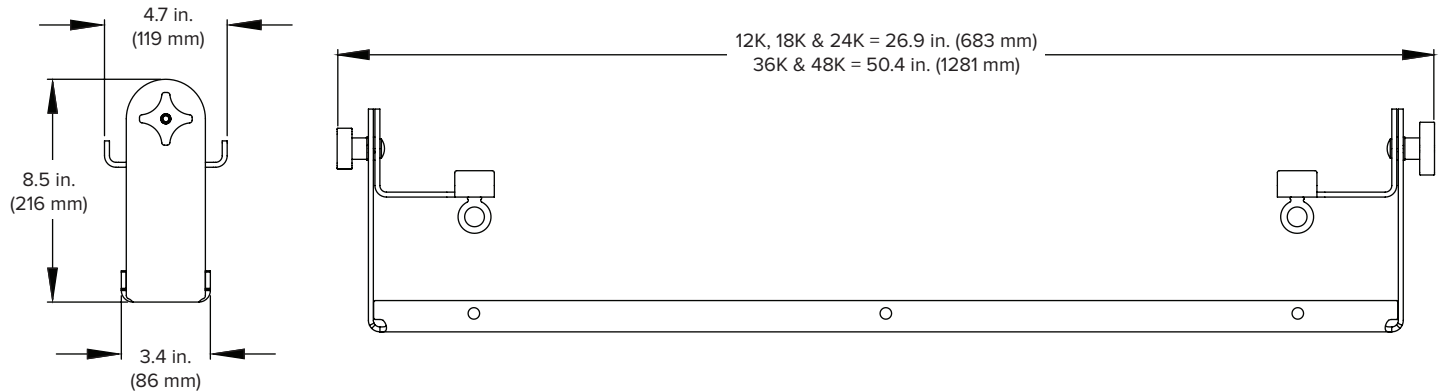
Accessory:

Wall and Column Mounts

TECHNICAL SPECIFICATIONS

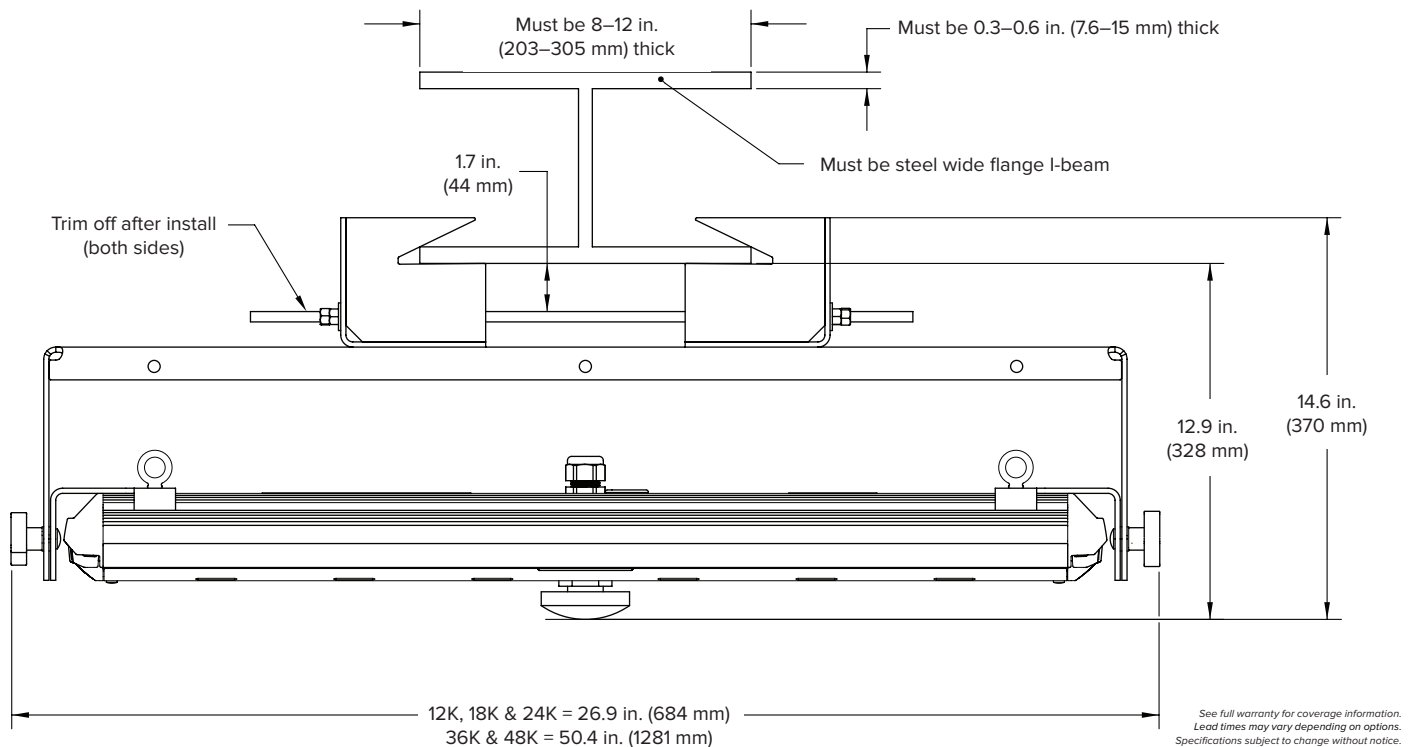
Wall Mount

Enjoy brilliant, efficient illumination in even more places with our wall mount. Made of laser cut, yellow-powder-coated aluminum, this tough yet lightweight mount offers 360° rotation for flexible light distribution. The wall mount provides direct, focused light right where it's needed most, making it perfect for auto shops, airplane hangars, wood shops and more.



Column Mount Adapter

This mount is so versatile, it doesn't even require a wall. By adding the column adapter to the wall mount, you can attach light fixtures to steel I-beams 8 to 12 inches wide. Just like the wall mount, the column mount adapter is made from laser cut aluminum and powder-coated yellow for durability, corrosion resistance and eye-catching style.



USA
BIGASSFANS.COM
877-244-3267

CANADA
BIGASSFANS.COM
844-924-4277

AUSTRALIA
BIGASSFANS.COM/AU
1-300-244-277

SINGAPORE
BIGASSFANS.COM/SG
+65 6709 8500