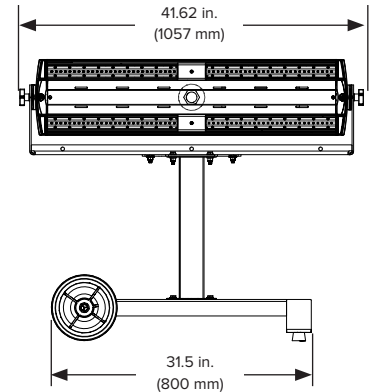


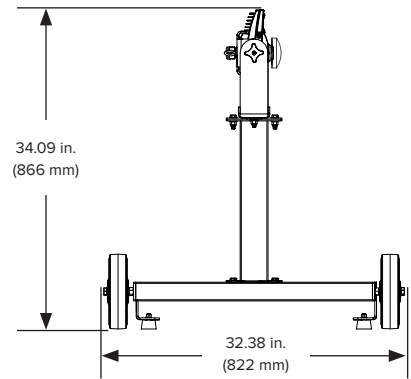
Here's a brilliant idea: Direct Big Ass Light's ultra-durable, state-of-the-art LEDs anywhere you want with our Mobile Light Series. Whether the job is lighting up the undercarriage of a classic car or inspecting the underside of a jumbo jet, our Mobile Light Series gives you the brightness you need to do the work right.

PRODUCT HIGHLIGHTS

- **Fixture Construction** — Heavy-duty single extruded aluminum heatsink designed to perform in ambient temperatures from -40° C to 70° C (-40° F to 158° F). End caps formed of glass-filled polycarbonate. Lumen maintenance trays made of UVA/UVB-resistant acrylic with optional polycarbonate construction.
- **Mobile Stand Construction** — Portable base with 8-inch (0.2-meter) shatter-resistant wheels and optional 18- and 36-inch (0.5- and 0.9-meter) extensions for multiple heights
- **Electrical** — Expected life (L70) more than 200,000 hours with an L94 at approximately 60,000 hours. Utilizes an IP67, 194° F (90° C) rated internal driver for maximum life in high-temperature applications. Driver standard with internal 0–10 V input. Available as multi-volt input (120–277 V). Surge protection optional.
- **Optics** — Patented lumen maintenance trays direct light to accommodate facility needs. UVA/UVB-resistant acrylic standard; optional polycarbonate available (meets AIB requirements).
- **Warranty** — 7-year complete fixture warranty in the US and Canada; includes power supplies. Certain exclusions apply. Warranty may vary by country. See complete warranty for details.
- **Maintenance** — Zero-tool access to lumen maintenance tray; hinged door access to power supplies. Acrylic lumen maintenance tray may not be suitable for all industrial environments; contact Big Ass Light for details.



Front View



Side View

Fixture Ordering Information

| Lighting | Series | Lumen Output | Color Temp | System Voltage | Lumen Maintenance Tray | Cord Type |
|----------|--------|---------------|------------|----------------|------------------------|-------------------------|
| BAS | MLS3 | 14: 14,000 lm | 05: 5000K | 01: 120/277 V | 04: Diffused | S18: GFCI 10ft (3.05 m) |

Light Output¹

| Wattage | Efficacy ¹ | Color Temperature | Typical CRI |
|---------|-----------------------|-------------------|-------------|
| 96 W | 148 lumens/watt | 5000K | 80+ |

¹Measured at 5000 K color temperature and 25° C (77° F) ambient temperature without lumen maintenance tray.

Accessory Ordering Information

| Description | Order Number |
|---|--------------|
| 18-inch (457-mm) extension pedestal (36-inch [914-mm] total height) | 002163-128 |

Operational Specifications

| Lumens | Power Input ¹ | Dimming | Reliability | Ambient Operating Temperature | Weight |
|--------|--------------------------|---------|--|--------------------------------|---------------|
| 14,000 | 120/277 V | 0–10 V | L70 predicted to exceed 200,000 hours at 77° F (25° C) | -40° to 158° F (-40° to 70° C) | 86 lb (39 kg) |



AMERICAS
BIGASSOLUTIONS.COM
877-244-3267

CANADA
BIGASSOLUTIONS.COM/CA
844-924-4277

AUSTRALIA
BIGASSOLUTIONS.COM/AU
1-300-244-277

SINGAPORE
BIGASSOLUTIONS.COM/SG
+65 6709 8500

MALAYSIA
+603 5565 0888