



USER GUIDE

Big Ass Light Bar



For help, call 877-244-3267 or visit
www.bigassfans.com/support

READ AND SAVE THESE INSTRUCTIONS

Retain this installation guide for maintenance and troubleshooting.

- ⚠ **WARNING: Do not strike, throw, or subject the battery to severe physical shock.**
- ⚠ **WARNING: Do not attempt to disassemble or modify the battery in any way.**
- ⚠ **WARNING: Do not place the battery in a microwave or pressurized container.**
- ⚠ **CAUTION: Risk of fire and burns. Do not open, crush, heat above 140° F (60° C), or incinerate.**
- ⚠ **CAUTION: Do not use or store the battery near sources of heat such as a fire or heater.**
- ⚠ **CAUTION: Do not use any chargers other than those recommended.**
- ⚠ **CAUTION: Do not directly connect the battery to wall outlets or car cigarette-lighter sockets.**
- ⚠ **CAUTION: Dispose of battery packs in compliance with local regulations. Do not dispose as household waste.**
- ⚠ **CAUTION: Replace battery with BAF 006679 only.**

QUESTIONS?

Customers in the United States

For questions about your product, contact a customer service representative at 877-244-3267 or visit www.bigassfans.com/support

Customers outside the United States

For questions about your product, contact your local Big Ass Fans representative or visit www.bigassfans.com/support



Intertek
5009354

Conforms to UL Standard 153: 2014 Ed. 13 + R:15 Dec. 2015
Certified to Can/CSA Standard C22.2 No. 250.4: 2014 Ed. 1

TECHNICAL SPECIFICATIONS

Light Bar

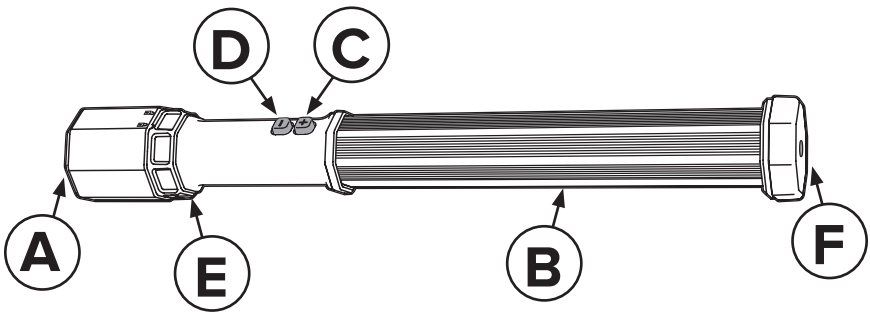
Model	BAS-LTB1-0505
Weight (with battery)	4 lb 11 oz (2.13 kg)
Dimensions	23.6 × 2 in. (600 × 51 mm)
IP rating	IP67

Battery and Charger

Nominal Voltage	Average 14.4 VDC
Charging Voltage	16.4 VDC
Capacity	4,400 mAh
Standard Charge	2,200 mA at 32° to 113°F (0° to 45°C)
Discharge End Voltage	12 VDC
Power Supply	100–240 VAC, 50/60 Hz
Power Supply Cord Length	5 ft (1.5 m)

COMPONENTS

The battery must be installed and charged before using Light Bar.



A. Battery Test Button

B. Diffuser Lens

C. Plus Button

D. Minus Button

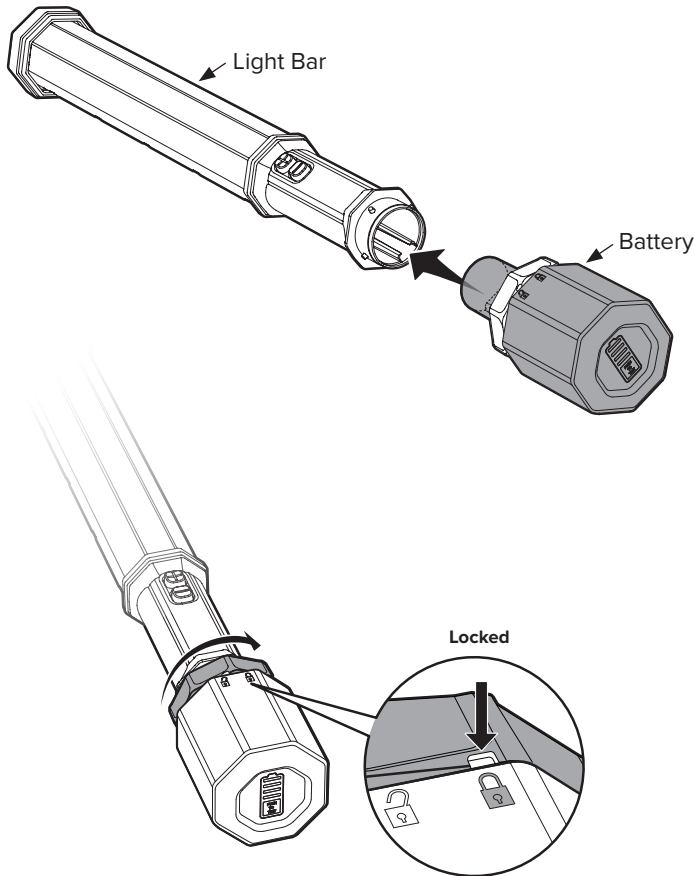
E. Locking ring

F. 1/4"-20 Threaded Opening

INSTALLING THE BATTERY

To install the battery, insert the battery into the base of Light Bar, and then rotate the locking ring until the indicator mark is above the “locked” icon. Test operation by pressing the + button

To remove the battery, rotate the locking ring to the “unlocked” icon, and pull out the battery.



USING THE LIGHT BAR



Plus button

Press once to turn on.

Press to increase brightness.

Press and hold to quickly bring the light to full brightness.



Minus button

Press and hold to turn off.

Press to decrease brightness.

Brightness levels

Level	Brightness (lumens)*
1	80 lm
2	500 lm
3	850 lm
4	1500 lm
5	2800 lm
6	5000 lm

*All values approximate

Locking Ring

Turn clockwise to lock battery in place.

Turn counter-clockwise to unlock and remove battery.

1/4"-20 Threaded Opening

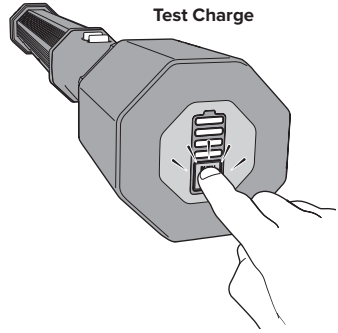
Attach eye hook for hanging or mount Light Bar to standard tripod.

CHARGING

Check charge level

Check the charge level by pressing the Test button.

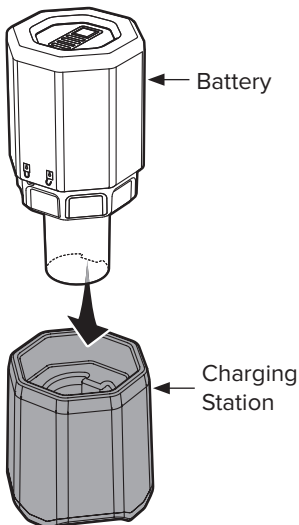
Indicators	Charge
Four solid	75–100%
Three solid	50–74%
Two solid	25–49%
One solid	10–24%
One flashing	< 10%



Charge the battery

To charge the battery, plug the charging station into AC power. Insert the battery into the charging station so that it is tightly seated. The indicator LEDs will flash to indicate the battery is charging.

- If the indicators do not flash, remove and test the battery. If all four LEDs light up, the battery is fully charged.
- If three or fewer LEDs light up, *make sure the battery is tightly seated and the charging station is connected to AC power.*
- If the LEDs still do not flash, contact Customer Service.



Indicators	Charge
One flashing	0–24%
One solid, one flashing	25–49%
Two solid, one flashing	50–74%
Three solid, one flashing	75–99%
Four solid*	100%

*If battery is fully charged, LEDs will illuminate only when test button is pressed.

PREVENTIVE MAINTENANCE

⚠ CAUTION: Do not clean the fixture, especially the lens, with scouring pads. Overexposure to certain chemicals such as toluene, acetone, ethyl acetate, or ethylene dichloride could cause damage.

Clean the light bar periodically with a damp cloth. Methanol, ammonia, and n-hexane-based cleaners can be used on the lens without risk of damage.

TROUBLESHOOTING

If the ambient temperature is 113°F (45°C) or above, Light Bar may not operate due to its electronics safety protection.

If Light Bar is not working, make sure:

- Battery is fully engaged with Light Bar and the locking ring locked.
- Light Bar is within its normal operational temperature range of -4°F to 113°F (-20°C to 45°C).
- Light Bar buttons are operational (you should feel a slight recoil after pressing).

If the battery is not charging when placed in the charging station, make sure:

- The outlet is receiving power.
- The battery is fully inserted into the charging station.
- The charger is operational (check with another battery if possible).
- The battery and charger are not in a location where the temperature is below 32°F (0°C) or above 113°F (45°C), or the battery will not charge.

In case of damage to a lens, contact 1-877-244-3267 for a replacement.



BAL-INST-162-MUL-01
REV. B
10/18/2018



BIG ASS FANS

1 (877) BIG-FANS | WWW.BIGASSFANS.COM