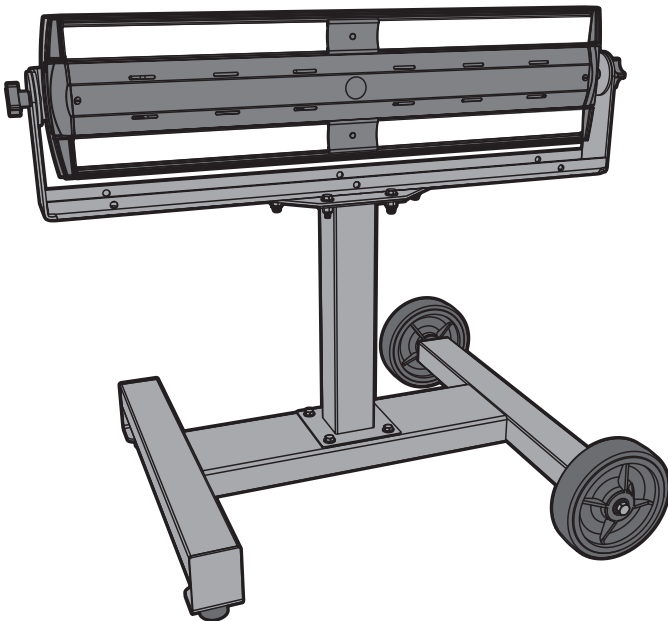




INSTALLATION GUIDE

Mobile Light Series



For help, call 877-BIG FANS or visit
www.bigassfans.com/support

IMPORTANT SAFETY INFORMATION

ATTENTION

This guide contains important instructions and safety information. Leave with owner after installation.

 **CAUTION: Risk of electric shock. Disconnect power before servicing.**

The light source contained in this fixture shall only be replaced by the manufacturer or his service agent or a similar qualified person.

Suitable for damp locations.

Not for use in dwellings.

The Big Ass Fans product warranty will not cover equipment damage or failure caused by improper installation.

This product contains high intensity LED devices. The fixture should be positioned so that prolonged staring into the luminaire at a distance closer than 6 ft (1.8 m) is not expected.

Installation Guide

October 2018

Rev. E

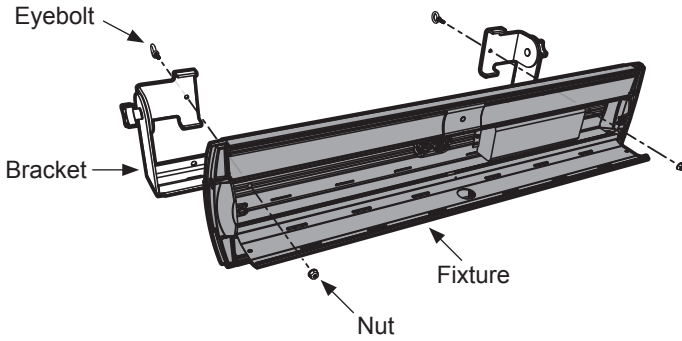
10/18/2018

This product was manufactured in a plant whose Management System is certified as being in conformity with ISO 9001.

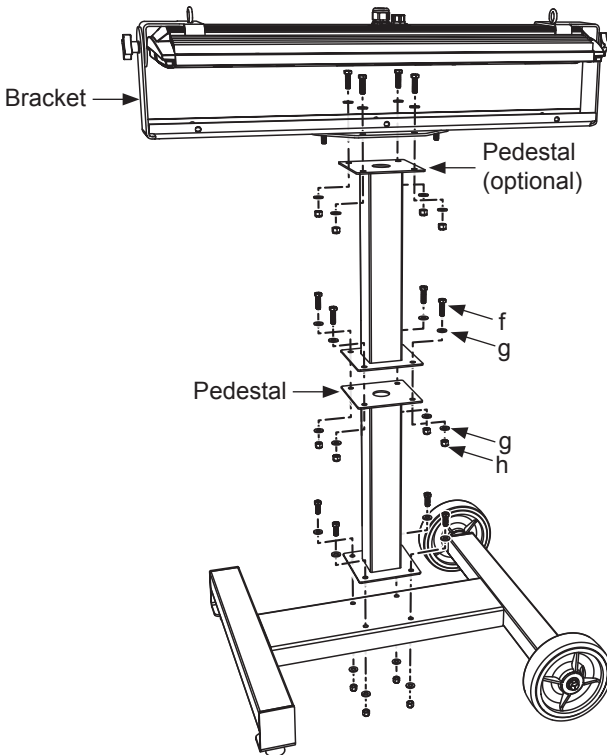
www.bigassfans.com/patents • www.bigassfans.com/product-warranties

3. Bolt fixture to bracket assembly

Loosen the two-quarter turn screws and open the cover. Remove and discard the nylon locking nuts to remove the eyebolts. Position the fixture in the bracket as shown. Reattach the eyebolts using the provided nuts.



4. Secure bracket and portable base to pedestal(s)



MAINTENANCE

Electrical preventive maintenance

Big Ass Fans suggests an electrical preventive maintenance program similar to that described in *NFPA 70B: Recommended Practice For Electrical Equipment Maintenance* by the National Fire Protection Association.

Cleaning the lenses

Do not clean the fixture—especially the lenses—with scouring pads, alkaline cleaning substances, gasoline, thinner, benzene, heating oil, glycol, alcohol, or polishing powder. Do not pressure wash or use a water hose to clean the fixture.

Clean the lenses periodically to ensure optimal performance. Remove lenses and wipe with a clean, damp cloth. Allow to dry thoroughly before replacing. If necessary, use a mild soap or a gentle liquid cleaner.

Cord safety

If the external flexible cable or cord of this luminaire is damaged, it shall be exclusively replaced by Big Ass Fans or a Big Ass Fans service agent or a similar qualified person in order to avoid a hazard. For assistance, please contact Customer Service.

QUESTIONS?

Customers in the United States

For questions about your product, please contact a customer service representative at 877-BIG-FANS (877-244-3267) or visit www.bigassfans.com/support

Customers outside the United States

For questions about your product or customer service inquiries, please contact your local Big Ass Fans representative or visit www.bigassfans.com/support



HBL-INST-103-ENG-01
REV E
10/18/2018



BIG ASS FANS[®]

2251 Innovation Drive, Lexington, KY 40511
1 (877) BIG-FANS | WWW.BIGASSFANS.COM