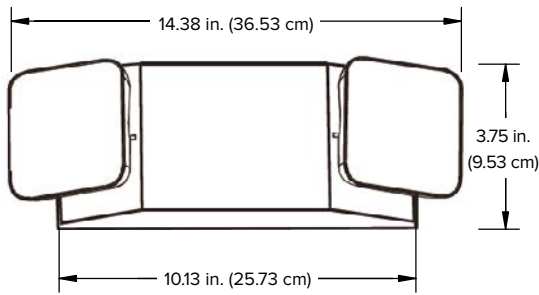


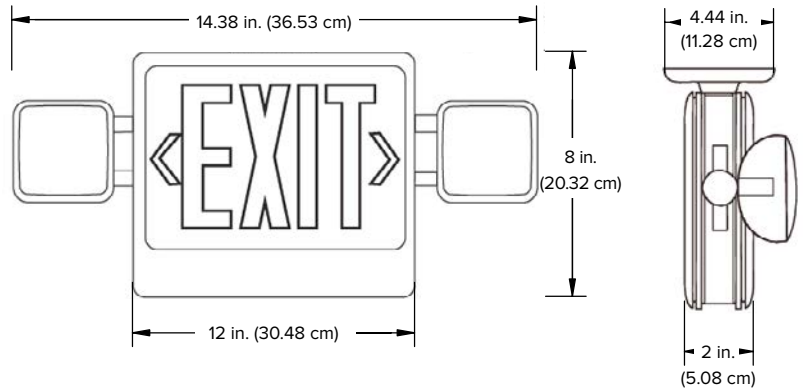
Exit and Emergency LED Light

TECHNICAL SPECIFICATIONS

Emergency Light



Exit/Emergency Combo Light



Exit and Emergency LED Light Features

Housing

Injection-molded, engineering-grade, 5VA flame retardant, high-impact, thermoplastic in white finish.

Electrical

With dual 120V/277V voltage, these LEDs include charge rate/power "ON" LED indicator light and push-to-test switch for mandated code compliance testing.

The LEDs include an internal solid-state transfer switch that automatically connects the internal battery to LED board & LED lamp heads for minimum 90-minute emergency illumination. Fully automatic solid-state, two-rate charger also initiates battery charging to recharge a discharged battery in 24 hours.

LEDs

Long lasting, efficient and ultra-bright white LED lamp heads built with high-performance chrome-plated metalized reflectors and plastic lens for optimal light distribution. Adjustable LED lamp heads provide optimal center-to-center spacing.

Certifications

UL Listed for damp locations
Meets UL924, NFPA101 Life Safety Code, NEC, OSHA, Local and State Codes

Ordering Information

Family	Series	Battery Backup	Letter Color	Housing Color	System Voltage
BAS-01	HL03143RW	Yes	Red	White	120/277 V

Ordering Information

Family	Series	Lamp Heads	Housing Color	System Voltage
BAS-01	HL0202L-W	2 - Adjustable	White	120/277 V