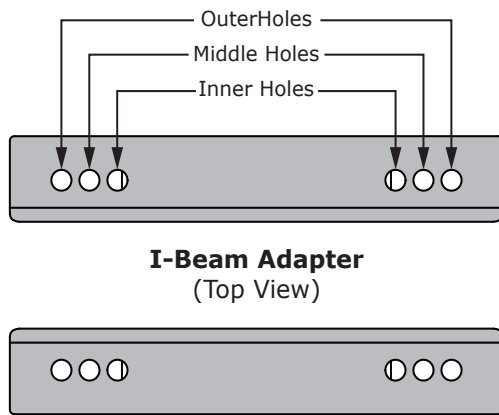


I-BEAM ADAPTER INSTALLATION

⚠ WARNING: The fan should not be installed unless the structure on which the fan is to be mounted is of sound construction, undamaged, and capable of supporting the loads of the fan and its method of attachment. A structural engineer should verify that the structure is adequate prior to fan installation. Verifying the stability of the mounting structure is the sole responsibility of the customer and/or end user, and the manufacturer hereby expressly disclaims any liability arising therefrom, or arising from the use of any materials or hardware other than those supplied by the manufacturer or otherwise specified in these installation instructions.

⚠ CAUTION: Install the spacers only if the thickness of the I-beam flange exceeds 3/8" (10 mm). The mounting holes on the spacer are closer to one side than the other. Make sure this side is facing the I-beam.

Measure the flange width of the I-beam from which the fan will be hung. Consult the table and diagram below to select the mounting holes that match the flange width of the I-beam. It is not recommended to mount the fan from a fabricated I-beam.



I-Beam Flange Width	I-Beam Adapter Mounting Holes
5–6-5/8 in. (127–168 mm)	Inner holes
>6-5/8–8-1/4 in. (168–210 mm)	Middle holes
>8-1/4–9-7/8 in. (210–250 mm)	Outer holes

Secure the I-beam adapter to the I-beam with the provided Beam Clip Hardware as shown below. Tighten the bolts to **40 ft·lb (54.2 N·m)** using a 3/4" socket with torque wrench. Proceed to the fan installation guide for instructions on attaching the upper mount to the I-beam adapter and hanging the fan.

Beam Clip Hardware:

- a. (4) 1/2-13 x 2" GR 8 Bolt
- b. (8) 1/2" Flat Washer
- c. (4) 1/2-13 Nylock Nut
- d. (2) Beam Clamp
- e. (2) Spacer

