

# I-BEAM STABILIZER KIT

**⚠ WARNING:** The fan should not be installed unless the structure on which the fan is to be mounted is of sound construction, undamaged, and capable of supporting the loads of the fan and the method of attachment to the structure. A structural engineer should verify that the structure is adequate prior to fan installation. Verifying the stability of the mounting structure is the sole responsibility of the customer and/or end user, and Big Ass Fans hereby expressly disclaims any liability arising therefrom, or arising from the use of any materials or hardware other than those supplied by Big Ass Fans or otherwise specified in these installation instructions.

## Parts and Hardware

- |                        |                                  |
|------------------------|----------------------------------|
| (1) Stabilizer Plate   | (4) 1/2"-13 x 36" All-Thread Rod |
| (4) 1/2"-13 Hex Nut    | (8) 1/2" Flat Washer             |
| (4) 1/2"-13 Nylock Nut | (4) 1/2" Lock Washer             |

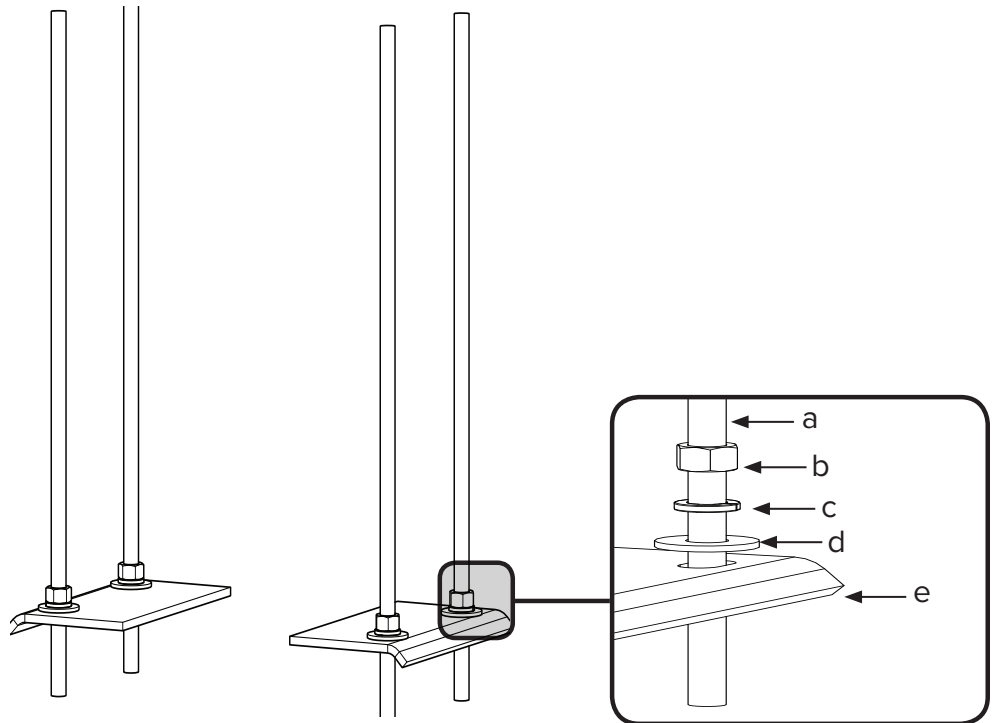
## Installation

### 1. Prepare all-thread rods

Thread a nut onto the all-thread rod. Slide a lock washer, a standard washer, and a beam clip onto the all-thread rod. Ensure enough length is available on the end of the all-thread rod to secure it to the I-beam and upper yoke. Repeat this on the four (4) all-thread rods.

#### All-Thread Rod Hardware:

- (4) 1/2"-13 x 36" All-Thread Rod
- (4) 1/2-13 Hex Nut
- (4) 1/2" Lock Washer
- (4) 1/2" Flat Washer
- (2) Beam Clamp



## 2. Attach upper yoke

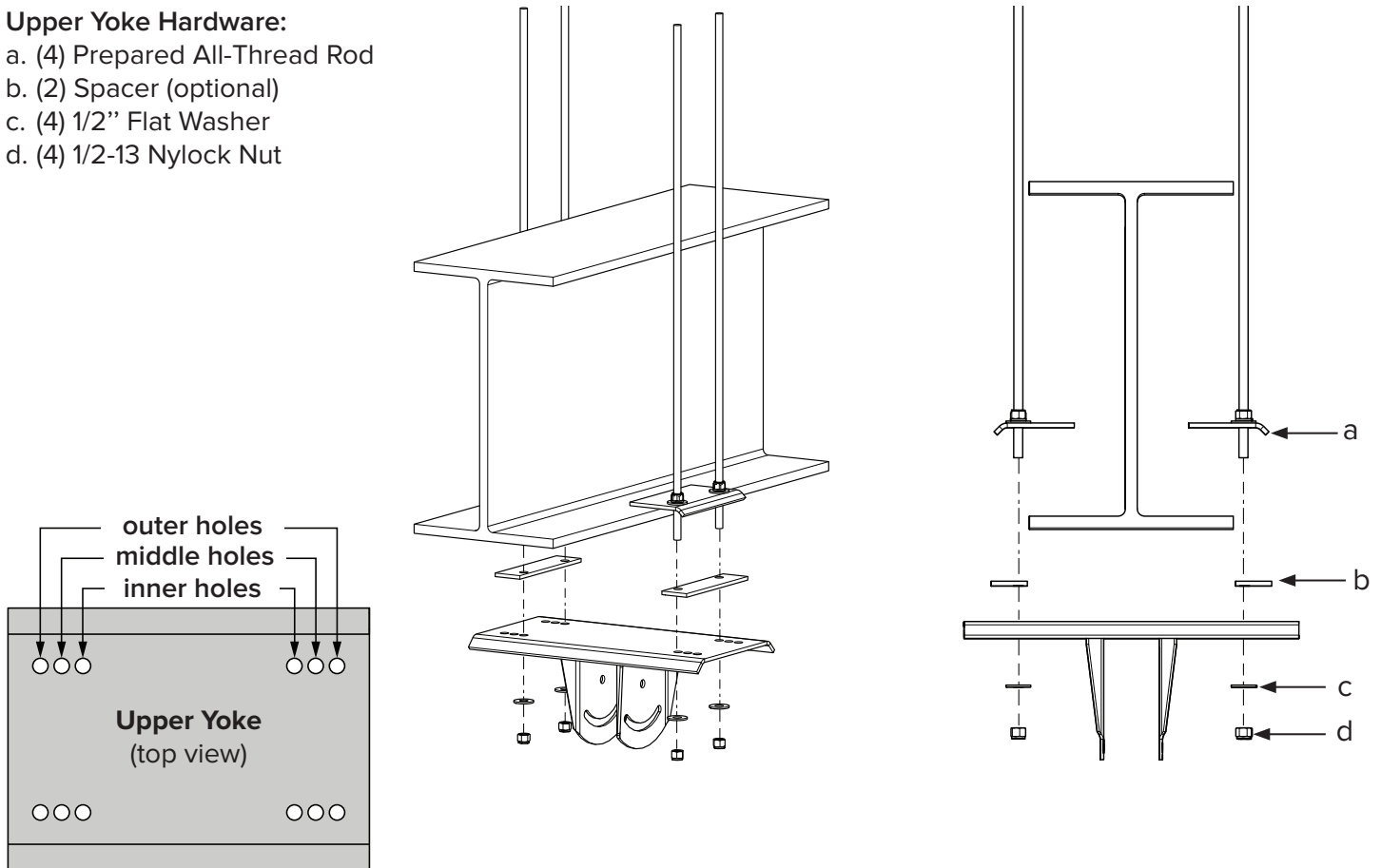
**⚠ CAUTION:** Install the spacers only if the thickness of the I-beam flange exceeds 3/8" (1 cm). The mounting holes on the spacer are closer to one side than the other. Make sure this side is facing the I-beam.

Measure the flange width of the I-beam from which the fan will be hung. Select the upper yoke mounting holes that match the flange width of the I-beam. Secure the upper yoke to the I-beam with the Upper Yoke hardware. Tighten the nuts to **40 ft·lb (54.2 N·m)** using a torque wrench and 3/4" socket.

*Note: Use the all-thread rod (instead of the bolts packaged with the fan) to secure the upper yoke to the I-beam.*

### Upper Yoke Hardware:

- (4) Prepared All-Thread Rod
- (2) Spacer (optional)
- (4) 1/2" Flat Washer
- (4) 1/2-13 Nylock Nut



**Small Upper Yoke**  
13-3/4" (349 mm) x 10" (258 mm)

I-beam flange width	Upper yoke mounting holes
5" (127 mm) to 6-5/8" (168 mm)	Inner holes
>6-5/8" (168 mm) to 8-1/4" (210 mm)	Middle holes
>8-1/4" (210 mm) to 9-7/8" (250 mm)	Outer holes

**Large Upper Yoke**  
18-1/2" (470 mm) x 10" (258 mm)

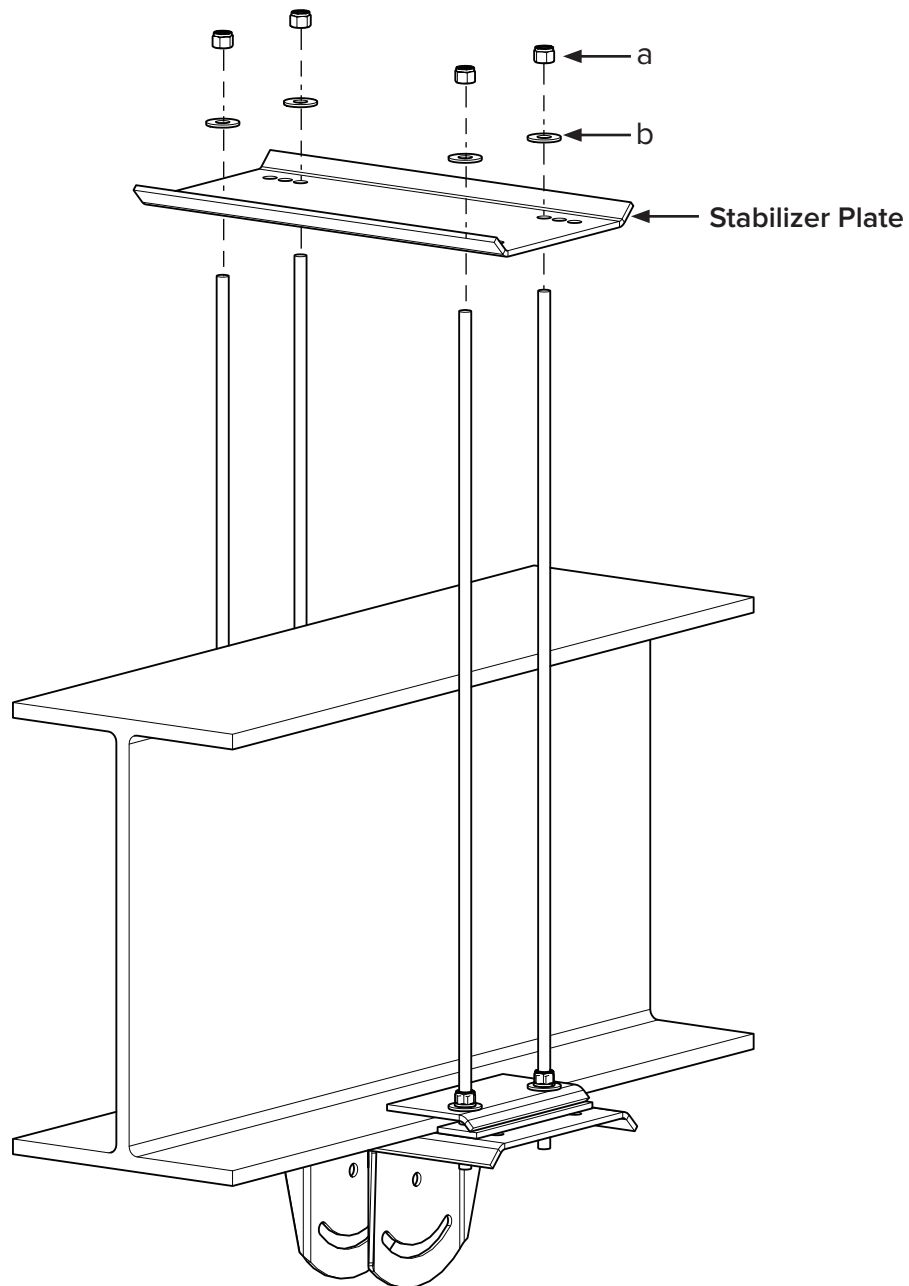
I-beam flange width	Upper yoke mounting holes
9-7/8" (250 mm) to 11-3/8" (289 mm)	Inner holes
>11-3/8" (289 mm) to 13" (330 mm)	Middle holes
>13" (330 mm) to 14-5/8" (371 mm)	Outer holes

### 3. Attach stabilizer plate

Secure the stabilizer plate to the other end of the all-thread rods with the Stabilizer Plate Hardware. Tighten the nuts to **40 ft·lb (54.2 N·m)** using a torque wrench and 3/4" socket. If desired, cut any excess all-thread rod.

#### Stabilizer Plate Hardware:

- a. (4) 1/2-13 Nylock Nut
- b. (8) 1/2" Flat Washer





BAF-INST-148-ENG-01

REV A



2425 Merchant St., Lexington, KY 40511  
**1 (877) BIG-FANS | WWW.BIGASSFANS.COM**