

L-BRACKET INSTALLATION

Consult the complete Installation Guide for all other aspects of fan installation and safety guidelines.

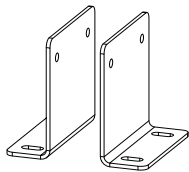
⚠ WARNING: The fan should not be installed unless the structure on which the fan will be mounted is of sound construction, undamaged, and capable of supporting the load of the fan. A structural engineer should verify that the structure is adequate prior to fan installation. Verifying the stability of the mounting structure is the sole responsibility of the customer and/or end user, and Big Ass Fans hereby expressly disclaims any liability arising therefrom, or arising from the use of any materials or hardware other than those supplied by Big Ass Fans or otherwise specified in these installation instructions.

⚠ WARNING: The safety cable is a crucial part of the fan and must be installed correctly. If the top of the mounting structure is inaccessible, safety clips are required to secure the safety cable. If you have any questions, call Customer Service.

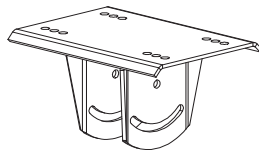
Parts

Safety clips are required to secure the safety cable only if the top of the mounting structure is inaccessible due to a ceiling. Safety clips are included only if ordered.

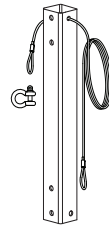
L-brackets can be installed only on a mounting structure with a thickness up to 14-3/8" (small upper yoke) or 8-3/8"–19-1/8" (large upper yoke). The hardware listed below (except for the safety clips and carabiners) is packaged with the fan.



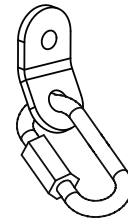
L-Brackets



Upper Yoke



Extension Tube,
Safety Cable, & Shackle



(2) Safety Clip &
Carabiner*

*Included only if ordered.

Hardware

The hardware used to secure the L-brackets to the mounting structure is not supplied. Suitable 1/2"-13 Grade 8 mounting hardware must be supplied by the fan installer.

Upper Yoke Hardware

- (4) 1/2-13 x 2" GR 8 Bolt
- (8) 1/2" Flat Washer
- (4) 1/2-13 Nylock Nut

Extension Tube Hardware

- (2) 1/2-13 x 4-1/2" GR 8 Bolt OR
- (2) 1/2-13 x 6" GR 8 Bolt (Element only)
- (4) 1/2" Flat Washer
- (2) 1/2-13 Nylock Nut

Installation

L-brackets can be used only on a mounting structure with a thickness up to 14-3/8" (small upper yoke) or 8-3/8" to 19-1/8" (large upper yoke).

1. Pre-drill suitable mounting structure

Drill two $\text{\O}1/2"$ ($\text{\O}13$ mm) holes in the mounting structure exactly 5-1/2" (14 cm) apart. Consult a structural engineer to determine the exact location of the mounting holes.

2. Determine bracket orientation

Big Ass Fans recommends orienting the L-brackets as shown below depending on the thickness of the mounting structure. The thickness of the structure cannot exceed 14-3/8" (small upper yoke) or 19-1/8" (large upper yoke).

Small Upper Yoke:
Up to 8-3/8" thickness

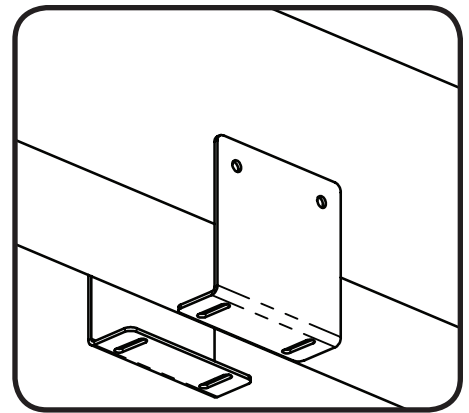
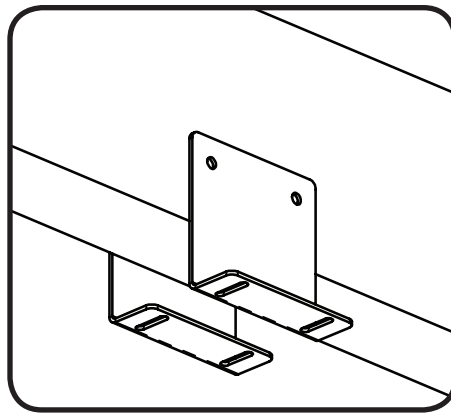
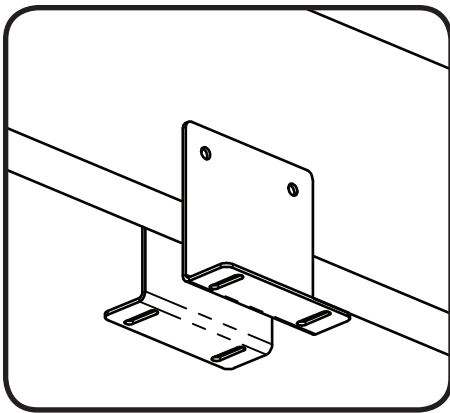
Large Upper Yoke:
8-3/8" to 13-1/8" thickness

Small Upper Yoke:
6-3/4" to 11-3/8" thickness

Large Upper Yoke:
11-3/8" to 16-1/8" thickness

Small Upper Yoke:
9-3/4" to 14-3/8" thickness

Large Upper Yoke:
14-3/8" to 19-1/8" thickness

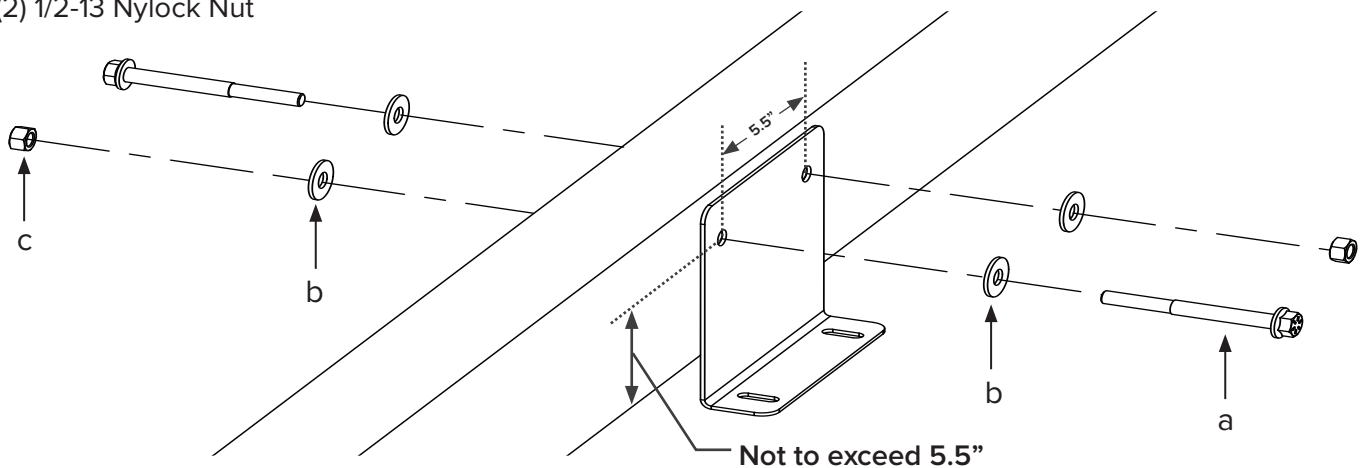


3a. Attach L-brackets (to mounting structure)

Fasten the L-brackets to the mounting structure with the customer-supplied L-Bracket Hardware. Note: L-bracket orientation may differ from the illustration.

L-Bracket Hardware (Customer-Supplied):

- (2) 1/2-13 GR 8 Bolt
- (4) 1/2" Flat Washer
- (2) 1/2-13 Nylock Nut



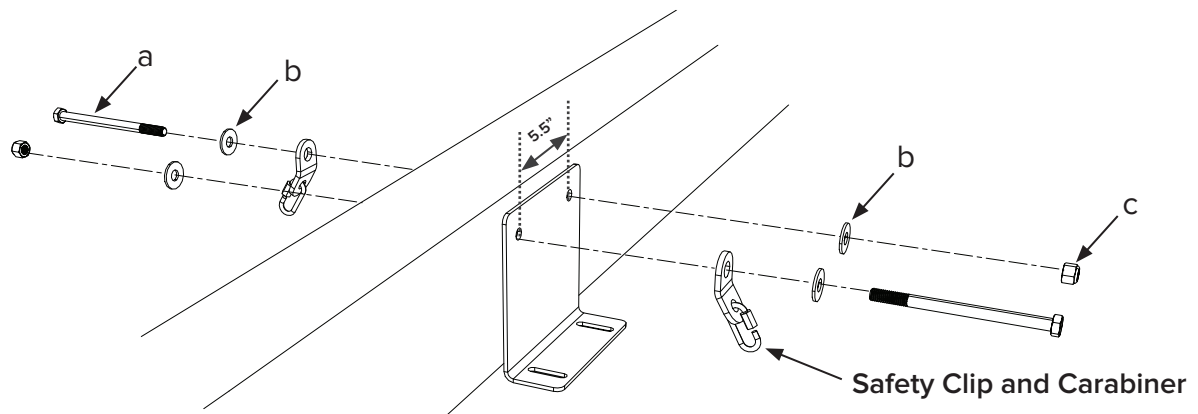
3b. Attach L-brackets (to mounting structure with safety clips)

Fasten the L-brackets to the mounting structure with the customer-supplied L-Bracket Hardware and the BAF-supplied safety clips. Safety clips are used only if the top of the mounting structure is inaccessible due to a ceiling and are included only if ordered.

L-Bracket Hardware (Customer-Supplied):

- a. (2) 1/2-13 GR 8 Bolt*
- b. (4) 1/2" Flat Washer
- c. (2) 1/2-13 Nylock Nut

*The bolts must be long enough to mount the L-brackets and the safety clips.



Note: L-bracket orientation may differ from the illustration. Ceiling not shown.

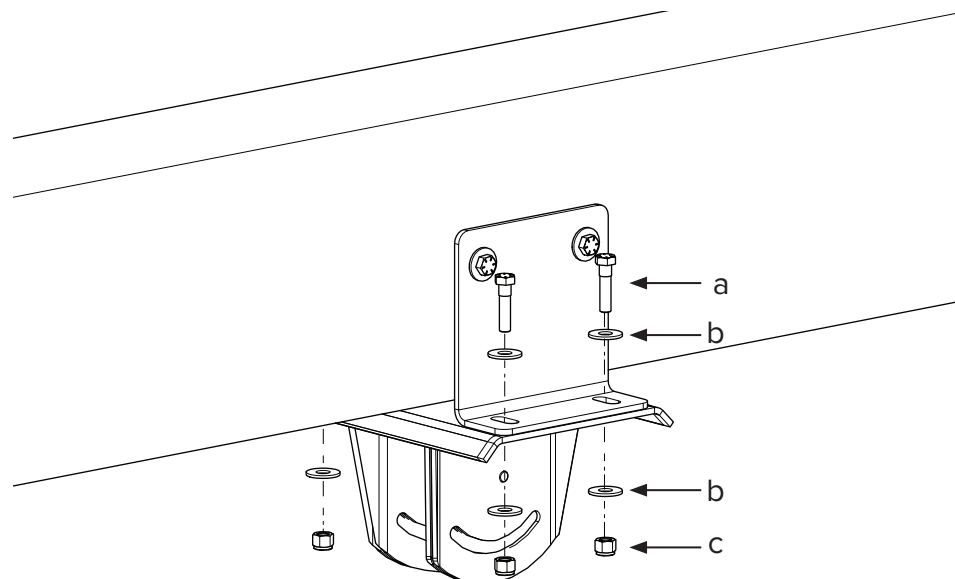
4. Attach upper yoke (to L-brackets)

Attach the upper yoke to the L-brackets with the Upper Yoke Hardware (included with the fan) as shown below. **If the top of the mounting structure is inaccessible, safety clips must be used (step 3b).**

Note: L-bracket orientation may differ from the illustration.

Upper Yoke Hardware:

- a. (4) 1/2-13 x 2" GR 8 Bolt
- b. (8) 1/2" Flat Washer
- c. (4) 1/2-13 Nylock Nut

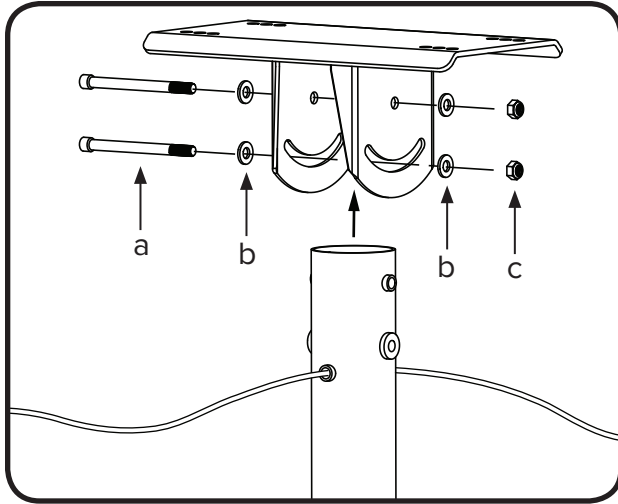


5. Attach extension tube (to upper yoke)

Fasten the extension tube to the upper yoke (already attached to the L-brackets) using the Extension Tube Hardware (included with the fan). Before tightening the bolts, allow the extension tube to hang freely and balance itself.

See the complete *Installation Guide* for detailed instructions and illustrations on hanging the fan.

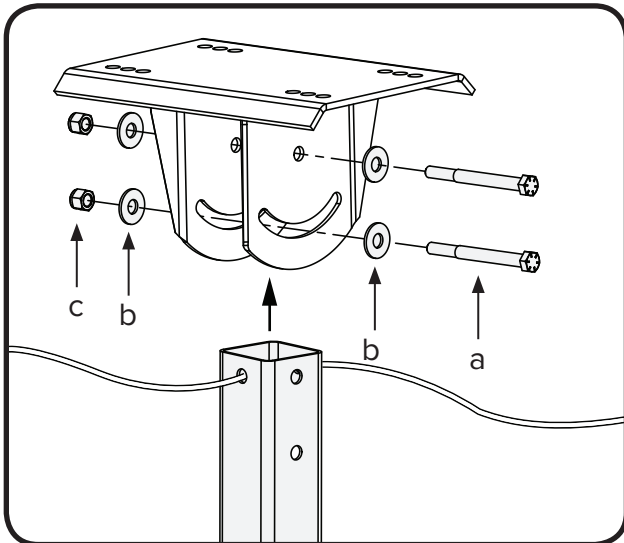
Element



Extension Tube Hardware:

- a. (2) 1/2-13 x 6" GR 8 Bolt
- b. (4) 1/2" Flat Washer
- c. (2) 1/2-13 Nylock Nut

Powerfoil X Series, Powerfoil 8, & Basic 6



Extension Tube Hardware:

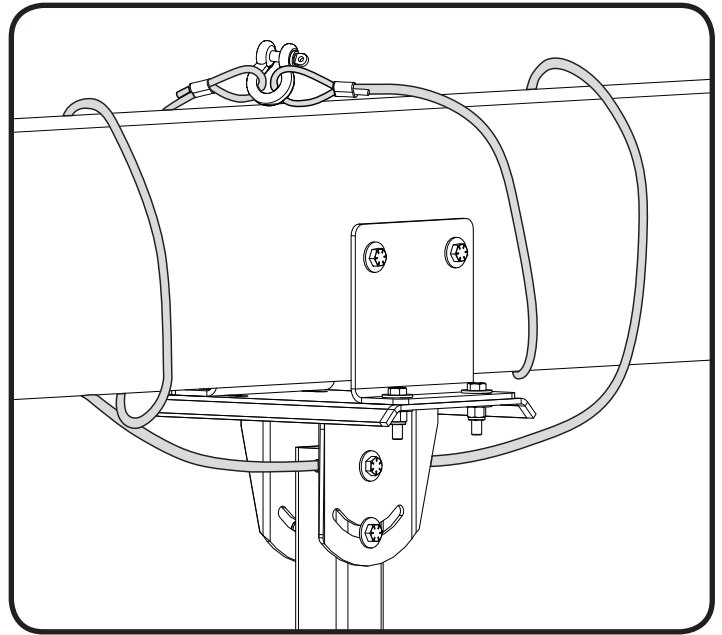
- a. (2) 1/2-13 x 4-1/2" GR 8 Bolt
- b. (4) 1/2" Flat Washer
- c. (2) 1/2-13 Nylock Nut

2a. Secure safety cable

⚠ WARNING: The safety cable is a crucial part of the fan and must be installed correctly. If you have any questions, call Customer Service.

Secure the safety cable to the mounting structure by wrapping it around the structure and securing the looped ends with the shackle. The cable must be drawn tightly around the structure, *leaving as little slack as possible*, with the shackle on the topside of the mounting structure.

Proceed to “Hanging the Fan” in the complete Installation Guide for remaining mounting instructions.



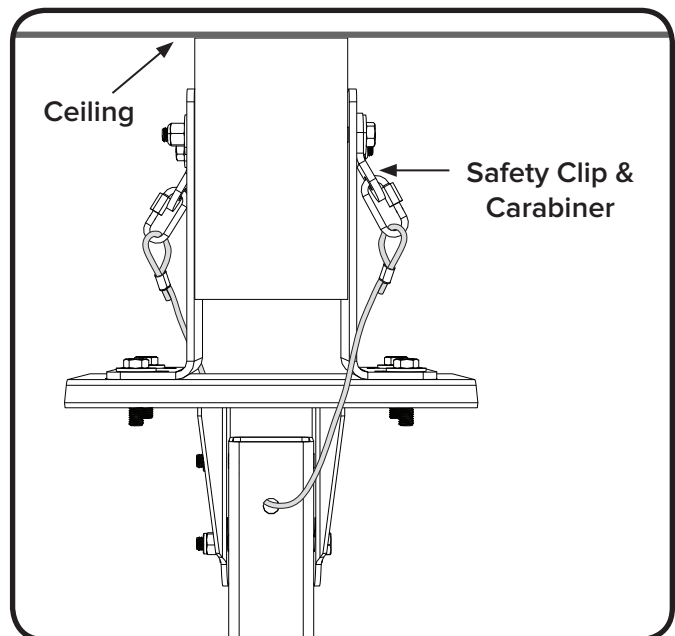
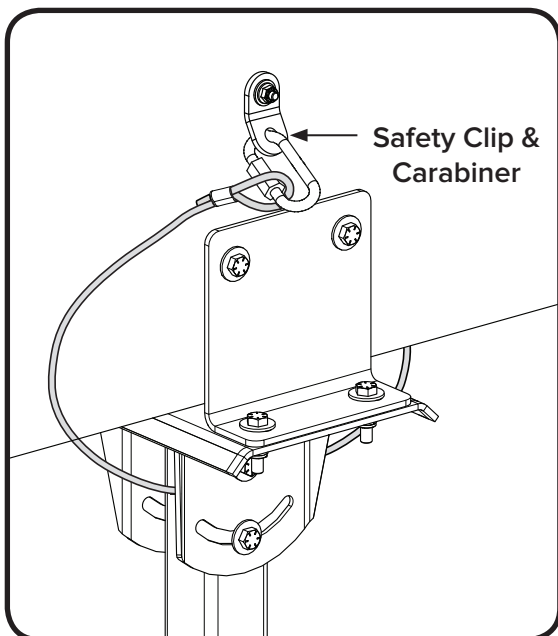
Note: Exact setup may differ from the illustrations.

2b. Secure safety cable (to safety clips)

⚠ WARNING: The safety cable is a crucial part of the fan and must be installed correctly. If you have any questions, call Customer Service.

Safety clips are used only when the top of the mounting structure is inaccessible due to a ceiling and are included only if ordered (see step 3b on p. 3). Secure the looped ends of the safety cable to the (2) carabiners on the safety clips, *leaving as little slack as possible*.

Proceed to “Hanging the Fan” in the complete Installation Guide for remaining mounting instructions.



Note: Exact setup may differ from the illustrations.



BAF-INST-147-ENG-01

REV A



2425 Merchant St., Lexington, KY 40511
1 (877) BIG-FANS | WWW.BIGASSFANS.COM