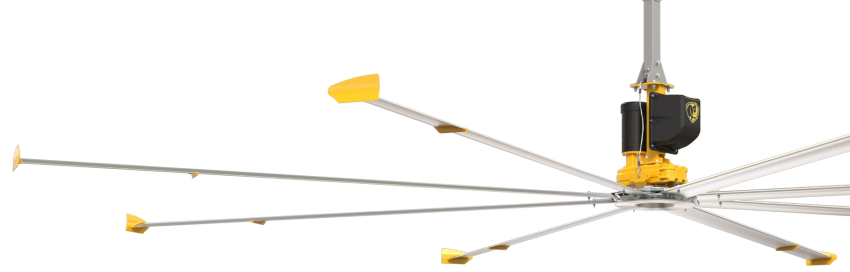
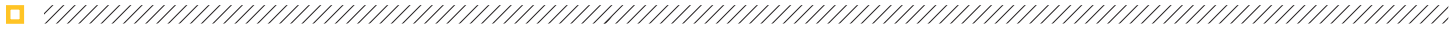


Powerfoil X3.0

Technical Specifications



Powerfoil X3.0, our biggest, most powerful industrial fan, features a patented system of aerofoils and winglets, setting the world standard for airflow.



IT'S BIG. IT'S BAD. IT MOVES A TON OF AIR.

- **Controller** — Wall-mounted digital keypad.
- **Aerofoils** — Eight patented Powerfoil aerofoils (mill finish) with eight patent-pending AirFences.
- **Winglets** — Powerfoil winglets eliminate wind noise (safety yellow).
- **Motor and Gearbox** — IP43 motor and NitroSeal™ Drive gearbox (STÖBER®); fully sealed drive enclosure resists corrosion and reduces heat buildup for longer life.
- **Onboard VFD** — Housed in an ABS/PVC-based enclosure with built-in heatsink; virtually eliminates RFI and EMI noise.
- **Functional Platform** — Integrate lights, security cameras, speakers, or other devices.
- **Mounting Options** — Standard upper mount installs to I-beams and angle iron; optional kits allow for mounting to solid beams and Z-purlins.
- **Safety Features** — Aerofoil retainers, hub clips, safety cables, Grade 8 bolts, fire relay (must be wired during install if required by local code). Airfoil restraint system comes standard on 20–24 ft (6–7.3 m) fans.
- **Colours** — Standard colours are silver and yellow. Want something different? Individualise your fan with one of our 11 classic colour upgrades, or work with our design consultants to create a shade that's all your own.



Powerfoil Winglet



Onboard VFD and NitroSeal Drive Gearbox

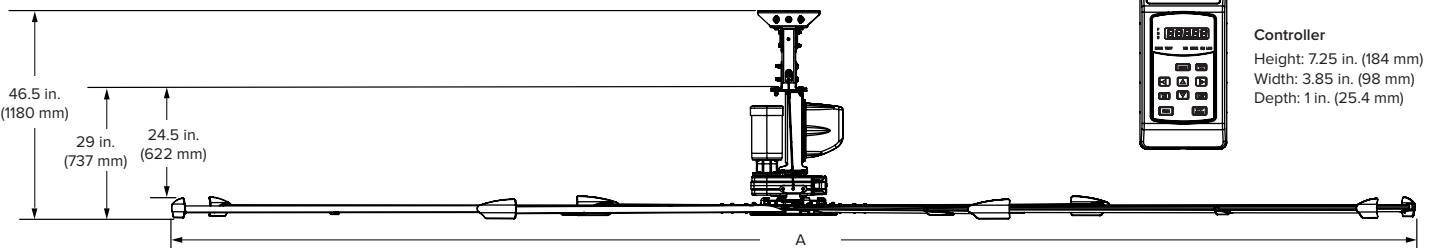
Technical Specifications

Fan	Diameter (A)	Weight ¹	Max Speed	Aerofoil Clearances ²	Input Power and Required Breaker	Motor Horsepower	Sound at Max Speed ³
PFX3-08	8 ft (2.4 m)	222 lb (101 kg)	197 RPM	2 ft (0.6 m) on sides 4 ft (1.2 m) below ceiling	200–240 VAC, 50/60 Hz, 1 Φ, 20 A 200–240 VAC, 50/60 Hz, 3 Φ, 10 A 400–480 VAC, 50/60 Hz, 3 Φ, 10 A	1.0 hp (0.75 kW)	< 55 dBA
PFX3-10	10 ft (3 m)	231 lb (105 kg)	160 RPM		200–240 VAC, 50/60 Hz, 1 Φ, 30 A 200–240 VAC, 50/60 Hz, 3 Φ, 20 A 400–480 VAC, 50/60 Hz, 3 Φ, 10 A		
PFX3-12	12 ft (3.6 m)	245 lb (111 kg)	139 RPM	2 ft (0.6 m) on sides	200–240 VAC, 50/60 Hz, 1 Φ, 30 A 200–240 VAC, 50/60 Hz, 3 Φ, 20 A 400–480 VAC, 50/60 Hz, 3 Φ, 10 A	1.5 hp (1.1 kW)	
PFX3-14	14 ft (4.3 m)	254 lb (115 kg)	118 RPM	5 ft (1.5 m) below ceiling			
PFX3-16	16 ft (4.9 m)	264 lb (120 kg)	99 RPM	2 ft (0.6 m) on sides	575–600 VAC, 50/60 Hz, 3 Φ, 10 A	2.0 hp (1.5 kW)	
PFX3-18	18 ft (5.5 m)	281 lb (127 kg)	88 RPM	6 ft (1.8 m) below ceiling			
PFX3-20	20 ft (6.1 m)	290 lb (132 kg)	78 RPM	2 ft (0.6 m) on sides			
PFX3-24	24 ft (7.3 m)	347 lb (157 kg)	65 RPM	7 ft (2.1 m) below ceiling			

¹ Weight does not include mount or extension tube.

² Measure the distance from the tip of the winglet to the ceiling or major obstruction.

³ Fans are sound tested at maximum speed in a laboratory environment. Actual results in field conditions may vary due to sound reflecting surfaces and environmental conditions.



Pictured with 1 ft (305 mm) extension tube



Certified to UL 507 and CSA C22.2 No. 113

Lead times may vary. See full warranty for coverage information. Specifications subject to change without notice.



USA
BIGASSFANS.COM
877-244-3267

CANADA
BIGASSFANS.COM
844-924-4277

AUSTRALIA
BIGASSFANS.COM/AU
1300 244 277

SINGAPORE
BIGASSFANS.COM/SG
65 6709 8500

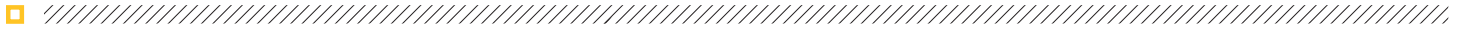
MALAYSIA
BIGASSFANS.COM/SG
603 5565 0888

Powerfoil X3.0 Plus

Technical Specifications

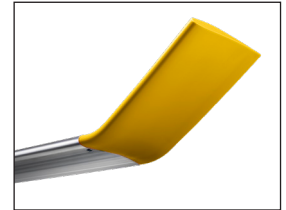


Powerfoil X3.0 Plus, our biggest, most powerful industrial fan, features a patented system of aerofoils and winglets, setting the world standard for airflow.



IT'S BIG. IT'S BAD. IT MOVES A TON OF AIR.

- **Controller** — Wall-mounted digital keypad.
- **Aerofoils** — Eight patented Powerfoil aerofoils (mill finish) with eight patent-pending AirFences.
- **Winglets** — Powerfoil Plus winglets push air at an angle, moving it over and around obstructions (safety yellow).
- **Motor and Gearbox** — IP43 motor and NitroSeal™ Drive gearbox (STÖBER®); fully sealed drive enclosure resists corrosion and reduces heat buildup for longer life.
- **Onboard VFD** — Housed in an ABS/PVC-based enclosure with built-in heatsink; virtually eliminates RFI and EMI noise.
- **Functional Platform** — Integrate lights, security cameras, speakers, or other devices.
- **Mounting Options** — Standard upper mount installs to I-beams and angle iron; optional kits allow for mounting to solid beams and Z-purlins.
- **Safety Features** — Aerofoil retainers, hub clips, safety cables, Grade 8 bolts, fire relay (must be wired during install if required by local code). Airfoil restraint system comes standard on 20–24 ft (6–7.3 m) fans.
- **Colours** — Standard colours are silver and yellow. Want something different? Individualise your fan with one of our 11 classic colour upgrades, or work with our design consultants to create a shade that's all your own.



PowerfoilPlus Winglet



Onboard VFD and NitroSeal Drive Gearbox

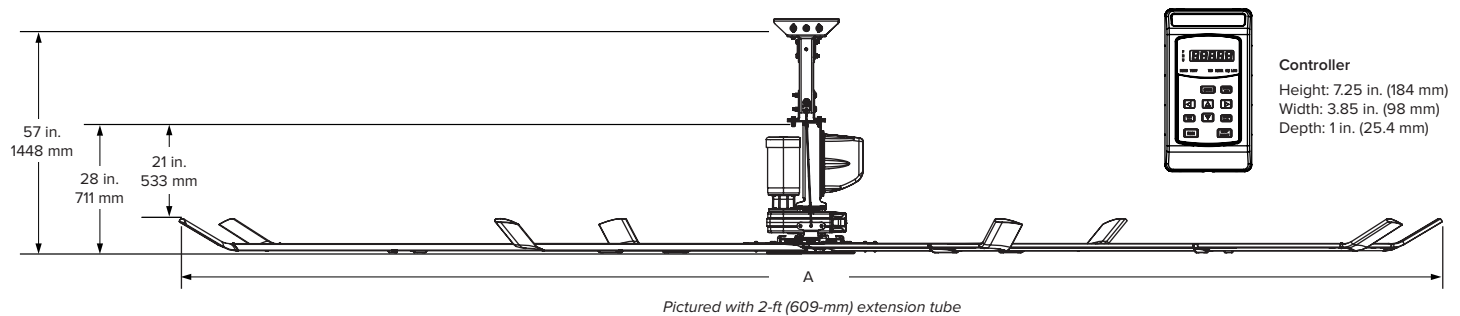
Technical Specifications

Fan	Diameter (A)	Weight ¹	Max Speed	Aerofoil Clearances ²	Motor Horsepower	Input Power and Required Breaker	Sound at Max Speed ³
PPX3-10	12 ft (3.7 m)	240 lb (109 kg)	140 RPM	2 ft (0.6 m) on sides 5 ft (1.5 m) below ceiling	1.5 hp (1.1 kW)	200–240 VAC, 50/60 Hz, 1 Φ, 30 A 200–240 VAC, 50/60 Hz, 3 Φ, 20 A 400–480 VAC, 50/60 Hz, 3 Φ, 10 A 575–600 VAC, 50/60 Hz, 3 Φ, 10 A	< 55 dBA
PPX3-12	14 ft (4.3 m)	249 lb (113 kg)	118 RPM	2 ft (0.6 m) on sides			
PPX3-14	16 ft (4.9 m)	259 lb (117 kg)	99 RPM	6 ft (1.8 m) below ceiling			
PPX3-16	18 ft (5.5 m)	276 lb (125 kg)	89 RPM	2 ft (0.6 m) on sides			
PPX3-18	20 ft (6.1 m)	285 lb (129 kg)	78 RPM	7 ft (2.1 m) below ceiling			
PPX3-20	22 ft (6.7 m)	334 lb (152 kg)	70 RPM	2 ft (0.6 m) on sides			
PPX3-24	24 ft (7.3 m)	343 lb (156 kg)	62 RPM	8 ft (2.4 m) below ceiling	2.0 hp (1.5 kW)		

¹ Weight does not include mount or extension tube.

² Measure the distance from the tip of the winglet to the ceiling or major obstruction.

³ Fans are sound tested at maximum speed in a laboratory environment. Actual results in field conditions may vary due to sound reflecting surfaces and environmental conditions.



Certified to UL 507 and CSA C22.2

Lead times may vary. See full warranty for coverage information. Specifications subject to change without notice.



USA
BIGASSFANS.COM
877-244-3267

CANADA
BIGASSFANS.COM
844-924-4277

AUSTRALIA
BIGASSFANS.COM/AU
1300 244 277

SINGAPORE
BIGASSFANS.COM/SG
65 6709 8500

MALAYSIA
BIGASSFANS.COM/SG
603 5565 0888