

# SWEAT BEE SWIVEL MOUNT

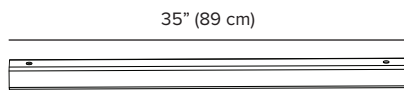
The following instructions are for mounting an 18-inch Sweat Bee® to a wall or vertical column for truck cooling in a shipping dock environment. Consult the complete Sweat Bee Installation Guide for maintenance and troubleshooting information. Consult a structural engineer for detailed mounting instructions.

## ATTENTION

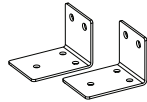
The Swivel Mount is only available for 18-inch Sweat Bee fans. Do NOT use Swivel Mount on 30-inch Sweat Bee fans.

## Parts and hardware

If you are missing any parts or hardware, contact Customer Service at 1-877-BIG-FANS. *Note: The illustrations below are not to scale.*



Swing Arm



(2) Mounting Brackets



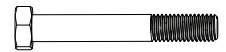
(14) 1/2" Washer



(4) 1/2" Hex Nut



(2) Spacer

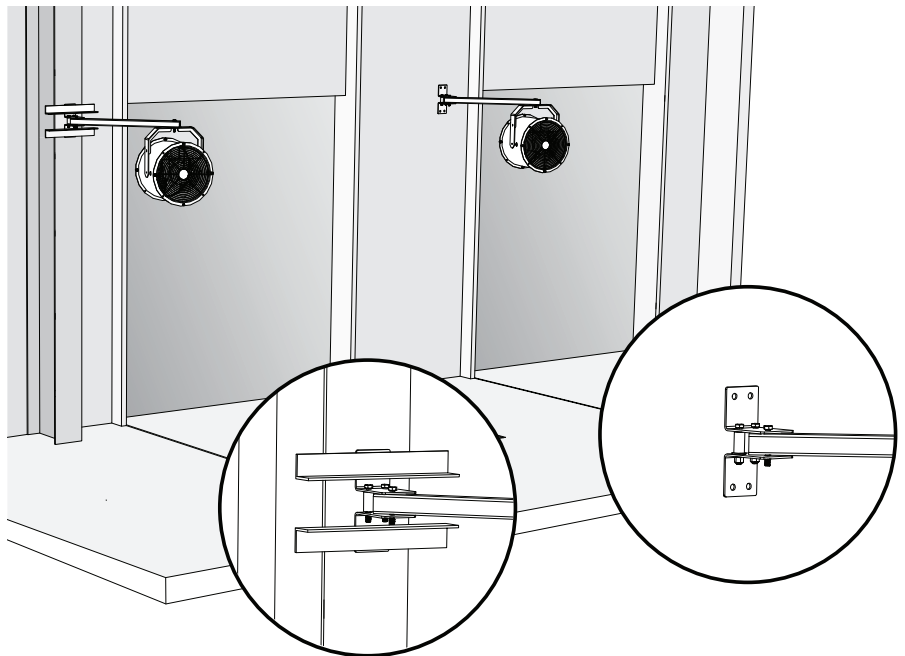


(4) 1/2-13 x 3-1/2" Hex Head Cap Screw

## Preparing the work site

Installation of the fan should be performed by trained personnel and should be consistent with all safe handling practices. When surveying the work site, keep the following guidelines in mind. Refer to the Sweat Bee Installation Guide for additional guidelines.

- The swivel mount is intended to be used in a shipping dock environment. The fan must be installed on a wall or a beam attached to a wall.
- Verify that all lifting equipment is in good operating condition and has the proper lifting capacity. Never lift the fan by the inlet or outlet guards or any other part of the fan that could distort the fan assembly.
- The fan installation area must be clear of obstructions such as lights, cables, sprinklers, or other building structure parts.
- Never turn on a fan without having all required fan components properly installed. All fans should be checked for missing or damaged components on a regular schedule.
- The fan may begin to operate upon connection to power source. Do not apply AC supply power to fan until it is fully assembled and in an acceptable upright position.
- Big Ass Fans recommends installing a safety cable when mounting the fan above areas in which personnel are working or standing.
- The swivel mount arm extends 35" (89 cm). Ensure the fan will be in the proper location when planning where to install the mount.



# Installing the swivel mount

**⚠ WARNING:** The fan should not be installed unless the structure on which the fan is to be mounted is of sound construction, undamaged, and capable of supporting the loads of the fan and its method of attachment. Verifying the stability of the mounting structure is the sole responsibility of the customer and/or end user, and Big Ass Fans hereby expressly disclaims any liability arising therefrom, or arising from the use of any materials or hardware other than those supplied by Big Ass Fans.

**⚠ CAUTION:** Never make swivel and/or rotational adjustments while the fan is connected to power!

**⚠ WARNING:** The fan should never be operated with loose mounting or adjustment hardware!

**⚠ CAUTION:** It is your responsibility to comply with all local and national codes and regulations regarding mounting procedures and installation height!

Fans installed using the Swivel Mount are intended to be mounted at a shipping dock for truck cooling. The fan should be mounted in an environment where personnel will not be standing directly below the fan. Consult a structural engineer to confirm your mounting method. Big Ass Fans recommends installing a safety cable when mounting the fan above areas in which personnel are working or standing. Contact Big Ass Fans Customer Service for more information on alternative mounting locations.

## 1. Attach swing arm to mounting brackets

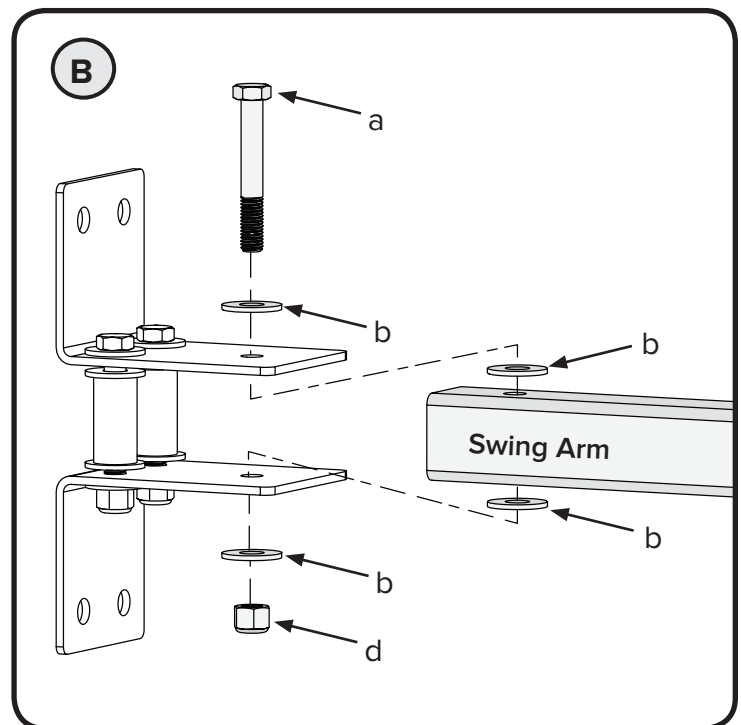
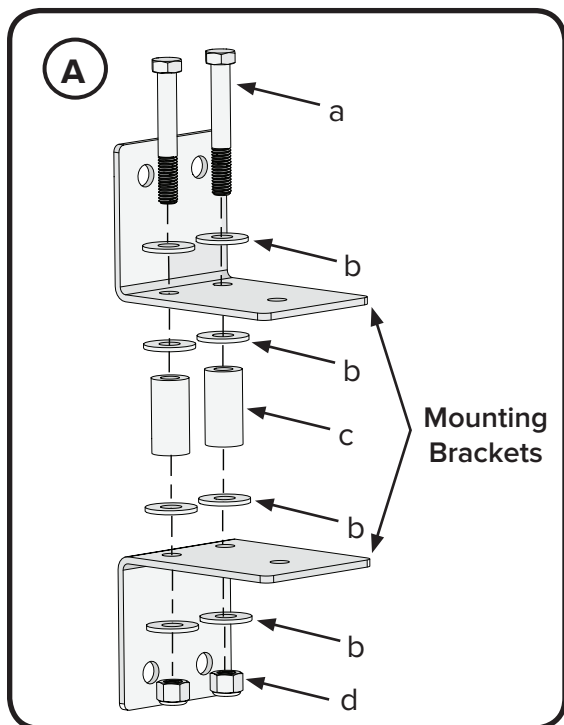
Loosely assemble the (2) mounting brackets to each other with (2) bolts, (8) washers, and (2) nuts of the Mounting Hardware (Diagram A). Allow enough space for the swing arm to be installed between the brackets.

Attach the swing arm to the mounting brackets using a bolt, (4) washers, (2) spacers, and a nut (Diagram B). Tighten until snug. Once the swing arm is properly installed, fully tighten the first (2) bolts.

**If mounting the fan to a wall, proceed to step 2a. If mounting the fan to a column, proceed to step 2b.**

### Mounting Hardware:

- a. (3) 1/2-13 x 3-1/2" Hex Head Cap Screw
- b. (12) 1/2" Washer
- c. (2) Spacer
- d. (3) 1/2" Hex Nut



## 2a. Secure mounting brackets to the wall

### ATTENTION

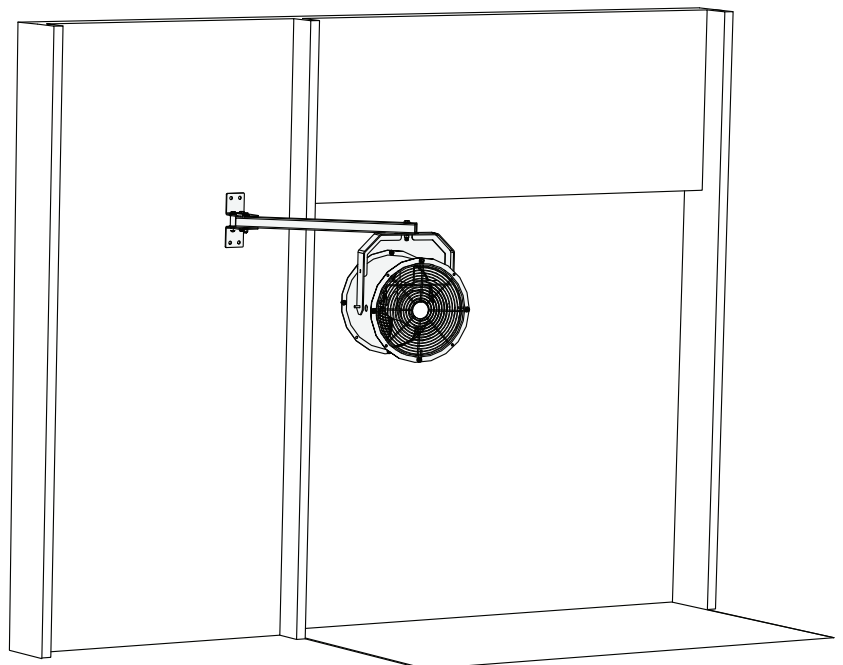
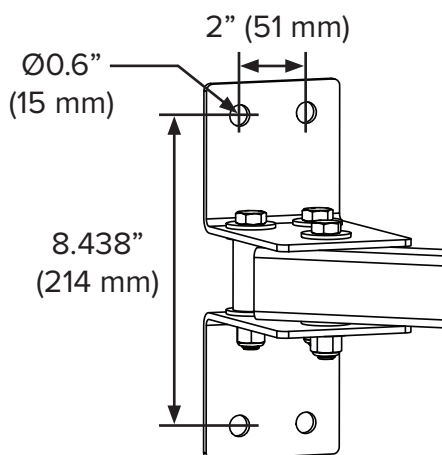
**Consult a structural engineer to determine the required mounting hardware, which should be of sufficient strength and quantity to support the weight of the fan and its method of attachment. It is the installer's responsibility to verify the adequacy of the wall and mounting hardware.**

Select a location that is free from foreign objects. The fan should be mounted at the same height as the top of the shipping dock and no lower than 8 ft (2.4 m). Review the mounting guidelines on page 1 to ensure your location is sufficient.

*Big Ass Fans cannot provide specific installation details because of the wide variability of mounting surfaces, conditions, and fastening methods. Consult a structural engineer to determine the required hardware.*

Big Ass Fans recommends adhering to the following recommendations and guidelines when mounting Sweat Bee to concrete.

- Big Ass Fans does not supply the hardware used to mount the fan to the wall. Select mounting hardware that is of sufficient strength to support the weight of the fan. If mounting to concrete, Big Ass Fans recommends using 1/2" Dia. Hilti Kwik Bolt 3 Expansion Anchors with a minimum embedment depth of 1-1/8".
- Avoid placing anchors near concrete edges. Refer to the manufacturer's specifications for strength reduction guidelines near edges.
- Ensure anchor spacing satisfies the anchor manufacturer's specifications. If there are existing anchors in close proximity to the new anchors, ensure that the spacing requirements of the existing anchors are satisfied.
- If anchoring the fan to reinforced concrete beams, verify the location and depth of the reinforcing steel by using a non-destructive testing method, such as using the HILTI Ferrodetecter, to avoid damaging the steel.
- If anchoring the fan to a concrete slab through fluted metal decking, check the anchor manufacturer's specifications for anchor placement limitations. Flute spacing may require a longer angle iron bracket to span across the flute spacing. Do not connect all the anchors to one flute. A minimum of two flutes must be used.
- Verify that the concrete is at least the minimum thickness required by the anchor manufacturer.
- Avoid installing the fan in locations with the following characteristics: exposed reinforcing steel, spalling or chipping, cracks, or discoloration of concrete, i.e., rust stains or efflorescence.
- Avoid install locations that have a hollow sounding response if tapped lightly with a hammer.
- We recommend installing a safety cable when mounting the fan above areas in which personnel are working or standing.



## 2b. Secure mounting brackets to the column

### ATTENTION

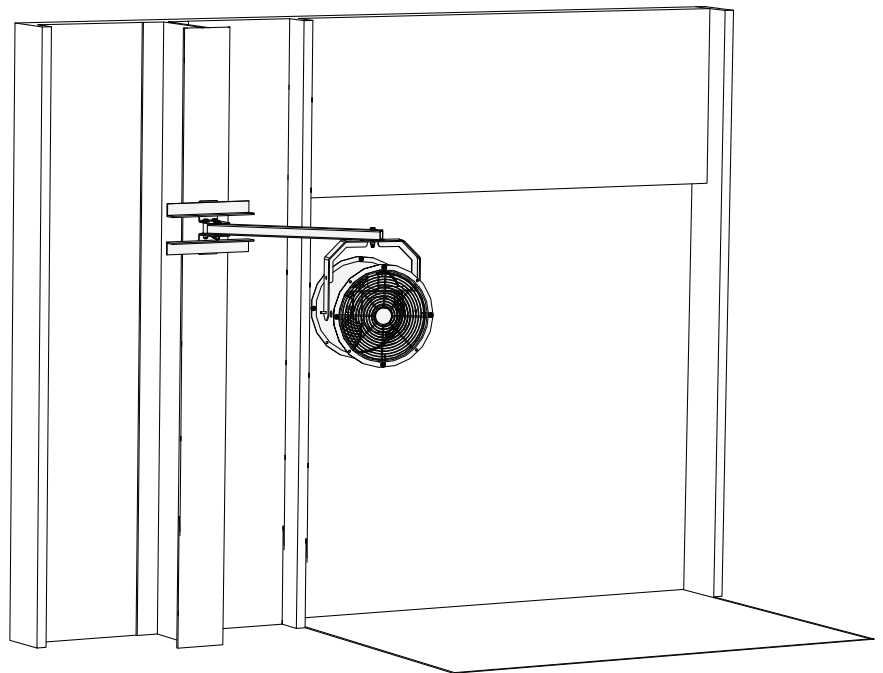
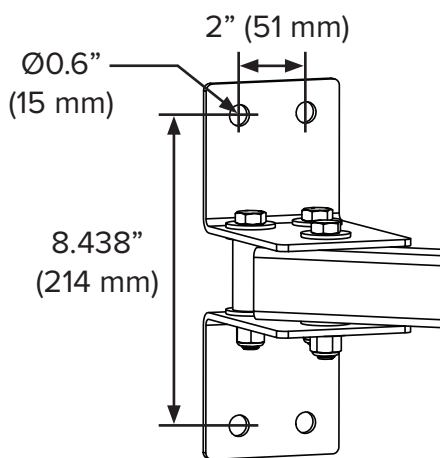
Consult a structural engineer to determine the required mounting hardware, which should be of sufficient strength and quantity to support the weight of the fan and its method of attachment. It is the installer's responsibility to verify the adequacy of the column and mounting hardware.

Select a location that is free from foreign objects. The fan should be mounted at the same height as the top of the shipping dock and no lower than 8 ft (2.4 m). Review the mounting guidelines on p. 1 to ensure your location is sufficient.

Big Ass Fans cannot provide specific installation details because of the wide variability of mounting surfaces, conditions, and fastening methods. Consult a structural engineer to determine the required hardware.

Big Ass Fans recommends following the guidelines listed below when mounting Sweat Bee to a column.

- If mounting to a column (against a wall), Big Ass Fans recommends using Hilti Beam Clamps (MI-SGC M12) to secure the fan. Consult a structural engineer to determine the safest method of securing the fan to the column.
- Do not mount the fan to a column that is not located against a wall.
- Big Ass Fans recommends installing a safety cable when mounting the fan above areas in which personnel are working or standing.
- Ensure all mounting hardware is installed according to the manufacturer's instructions.



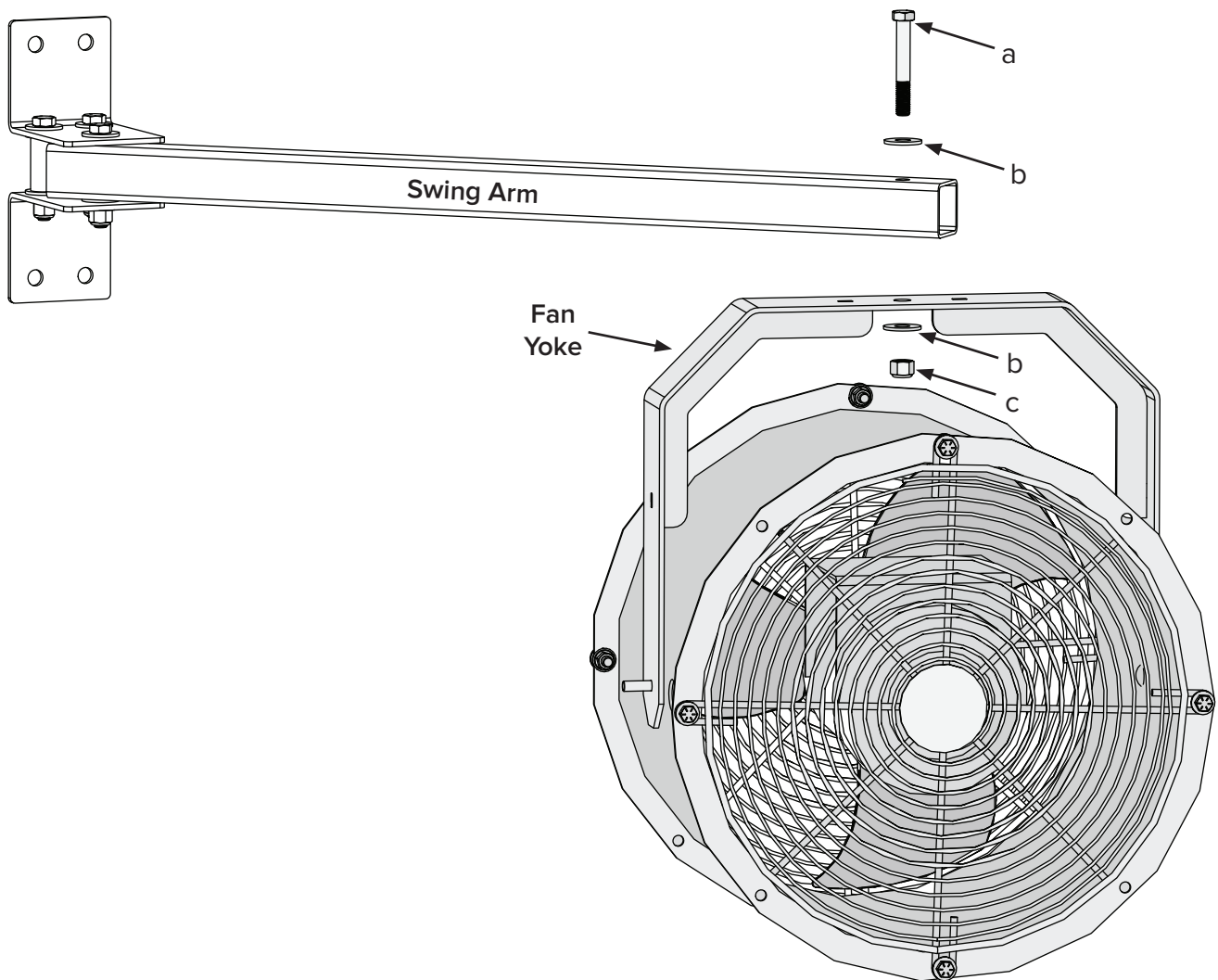
### 3. Install fan to the swing arm

Loosely secure the fan yoke to the swing arm using the remaining Mounting Hardware. Adjust the fan position so that airflow is directed into the truck trailer. Fully tighten the bolt. Do not install the fan on the topside of the swing arm.

Consult the complete installation guide for all other aspects of fan installation and maintenance.

#### Mounting Hardware:

- a. 1/2-13 x 3-1/2" Hex Head Cap Screw
- b. (2) 1/2" Washer
- c. 1/2" Hex Nut



# NOTES

# NOTES



BAF-INST-142-ENG-01  
REV C  
01/18/2018