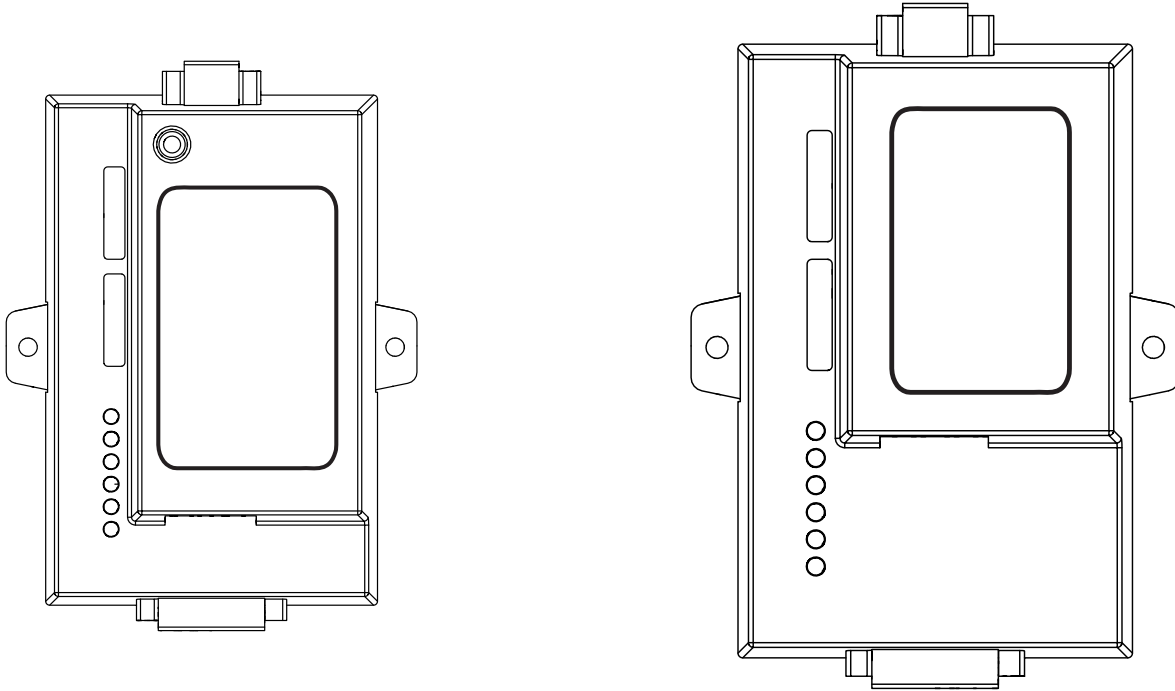


BACNET & LONWORKS® WARRANTY



Warranty period

Item	Period of coverage
BACnet and LonWorks Adapter	2 years

Big Ass Solutions (“BAS”) warrants its gateway apparatus for building automation systems (“BAS Gateway Apparatus”) to be free from defects in workmanship or material under normal use and service for two years after the date of shipment to the customer. BAF will repair or replace any equipment found to be defective during the warranty period. Final determination of the nature and responsibility for defective or damaged equipment will be made by BAS, working with its product vendor.

This warranty only applies to the BAS Gateway Apparatus, and is limited solely to products purchased directly from the Big Ass Solutions family of companies or from one of its authorized dealers. Under no circumstances will warranty coverage extend to products purchased through eBay, craigslist, or other internet auction or internet-based retail sites. Warranty coverage is contingent upon proper use in the application for which the product was intended and does not cover products which have been modified or repaired without BAF approval or which have been subjected to accident, improper maintenance, installation or application, or on which original identification marks have been removed or altered. This warranty also does not apply to interconnecting cables or wires, consumables or to any damage resulting from battery leakage.

In all cases our responsibility and liability under this warranty shall be limited to the cost of the equipment. The purchaser must obtain shipping instructions for the prepaid return of any item under this warranty provision and compliance with such instruction shall be a condition to make any claim under this warranty.

Except for the express warranty stated above, BAS disclaims all warranties with regard to the products sold hereunder including all implied warranties of merchantability and fitness for a particular purpose and the express warranties stated herein are in lieu of all obligations or liabilities on the part of BAS including, but not limited to, incidental or consequential damages arising out of or related to the use of the product, which are specifically disclaimed.

Big Ass Solutions ■ An ISO 9001:2008 certified company

2348 Innovation Drive, Lexington, KY 40511
877-BIG-FANS (877-244-3267)
www.bigasssolutions.com

